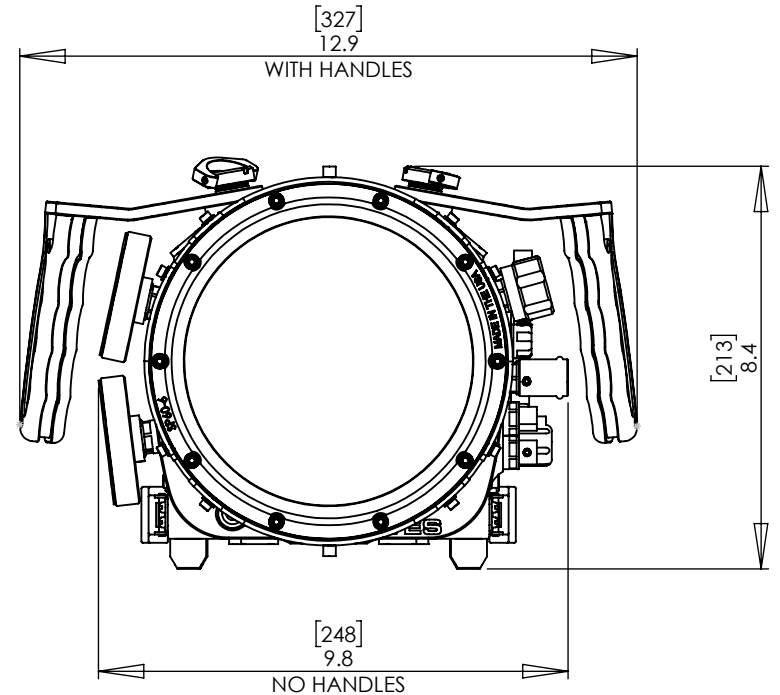


[426]  
16.8

REVISIONS			
REV.	DESCRIPTION	DATE	ENGINEER
1	INITIAL RELEASE	5/23/2025	JJE

HOUSING CONFIGURATION

- FX6 HOUSING
- SPR60-200 STACKABLE PORT RING
- SP60 DOME PORT



**DIMENSIONS ARE IN INCHES  
TOLERANCES:**

FRACTIONAL ±  
 ANGULAR: MACH ± BEND ±  
 TWO PLACE DECIMAL ±.01  
 THREE PLACE DECIMAL ±.005

	NAME	DATE
CREATED	JJE	5-22-2025
CHECKED	JSC	5-22-2025
ENG APPR.	JJE	5-22-2025

**PROPRIETARY AND CONFIDENTIAL**  
 THE INFORMATION CONTAINED IN  
 THIS DRAWING IS THE SOLE  
 PROPERTY OF **GATES**  
**UNDERWATER PRODUCTS, INC.**  
 ANY REPRODUCTION IN PART OR  
 AS A WHOLE WITHOUT THE  
 WRITTEN PERMISSION OF GATES  
 UNDERWATER PRODUCTS, INC IS  
 PROHIBITED.



DESCR :

**ASSY, FX6 HOUSING**

PROJECT: FX6

SIZE PART NUMBER:

**A** 0285-10-601

REV.  
1

DO NOT SCALE DRAWING

SHEET 1 OF 1