



DEEP KOMODO-X Upgrade *Addendum*

Setup, Use, and Care Guide

Copyright 2023, Gates Underwater Products, Inc.

This manual and current revision is available in 8.5 x 11 size and full color at

<http://www.gateshousings.com/documentation.html>

Gates Underwater Products, Inc.

13685 Stowe Drive Suite A
Poway, California 92064 USA

Phone: +1-858.391.0052
Web: GatesHousings.com

Table of Contents

	Setup, Use, and Care Guide.....	1
1:	Introduction.....	4
	Scope of this document	4
	Warranty Disclaimer	4
	Unpacking DEEP KOMODO-X Upgrade Kit.....	5
2:	Conversion Steps to DK-X Housing	6
	Install Power Control Head	6
	Install DK-X Record Control.....	7
	Install DK-X Rear Shell Extension.....	8
	Install DK-X GCC Firmware.....	9
	Utilize DK-X Camera Tray.....	10
	Utilize DK-X LCD Power / SDI Cables	11
3:	Customer Support.....	11

1: Introduction

This guide details the process to upgrade Gates DEEP KOMODO (DK) Housing to DEEP KOMODO-X (DK-X) Housing to be compatible with the RED Digital Cinema (RED) KOMODO-X camera. By reversing the process, DK-X is backward compatible with RED KOMODO camera.

Scope of this document

This Addendum addresses only the changes necessary to your DK Housing to accommodate RED KOMODO-X camera. Refer to the original DK-X SU&C Guide for complete setup, use and care details:

[DEEP KOMODO-X Setup, Use and Care Guide](#)

Warranty Disclaimer

DK-X is a tool that, like any tool, requires knowledge and understanding to be effective.

Your responsibility is to learn the proper setup, use and care of DK-X. Because we can only provide you with the information necessary to do so, Gates does not warrant the contents of your housing (e.g. your camera and lenses) under any circumstance.

We warrant DK-X as an image acquisition tool for a period of 2 years. The Seal Check unit is warranted for 1 year. Optics (Dome and Flat ports) are warranted for a period of 1 year or 100 hours salt water contact, whichever comes first.

Gates does not warrant optical performance or image quality.

If you have any questions about the setup, use and care of DK-X, contact Gates directly. Details are in section 3.

Unpacking DEEP KOMODO-X Upgrade Kit

After you remove DK-X from its shipping container, carefully inspect it for missing parts or damage that may have occurred during shipment. If you discover any discrepancies, contact Gates or your dealer immediately for assistance.

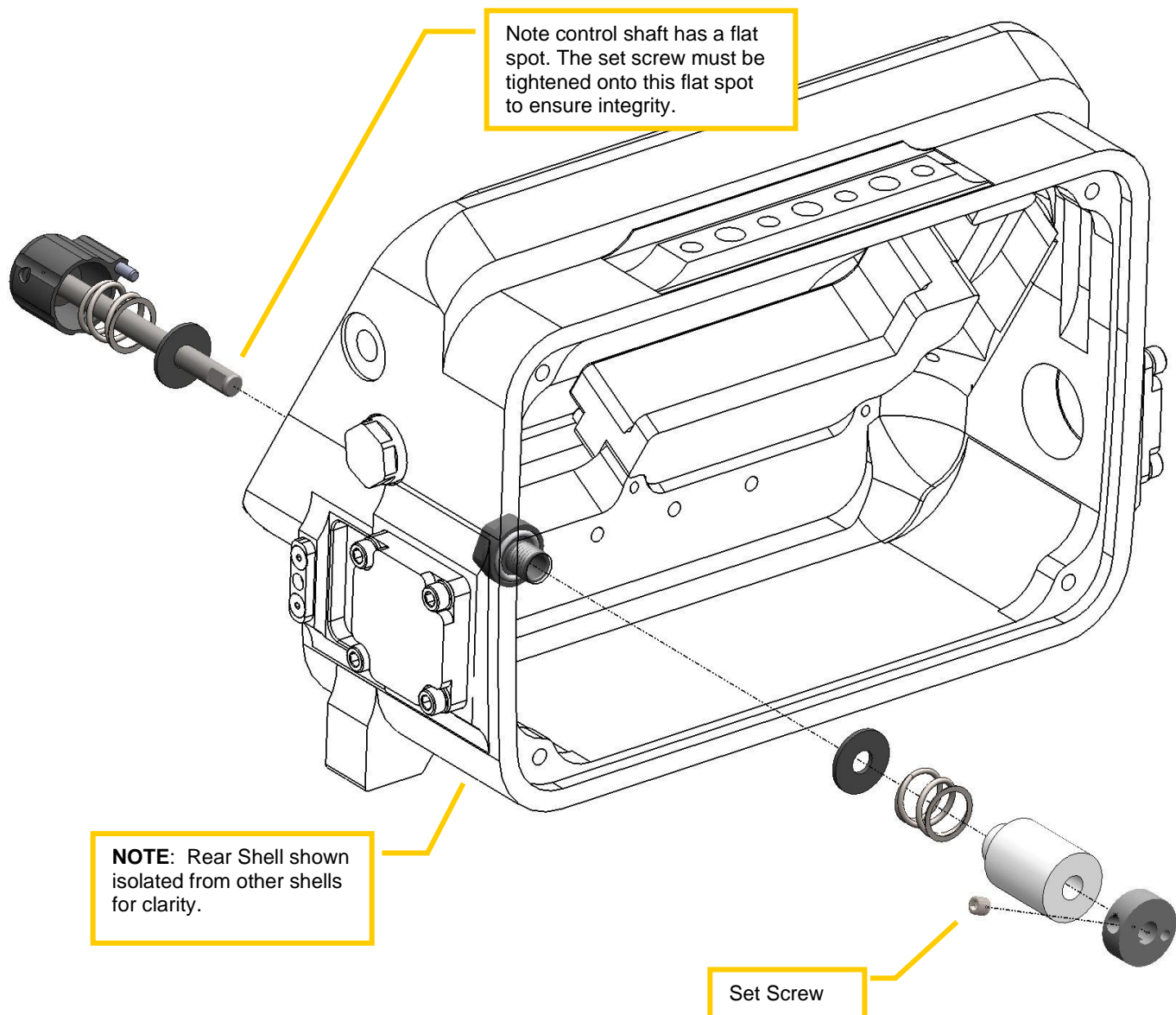
Included Items

- ✓ DK-X Housing Shell Extension
- ✓ DK-X Shell Extension Screws x4
- ✓ DK-X Camera Tray Assembly
- ✓ DK-X Power Control
- ✓ DK-X Record Control
- ✓ DK-X GCC firmware. Current version available on [Gates website](#).
- ✓ LCD Power and SDI Cables, extended length.
- ✓ Trim Float Set.

2: Conversion Steps to DK-X Housing

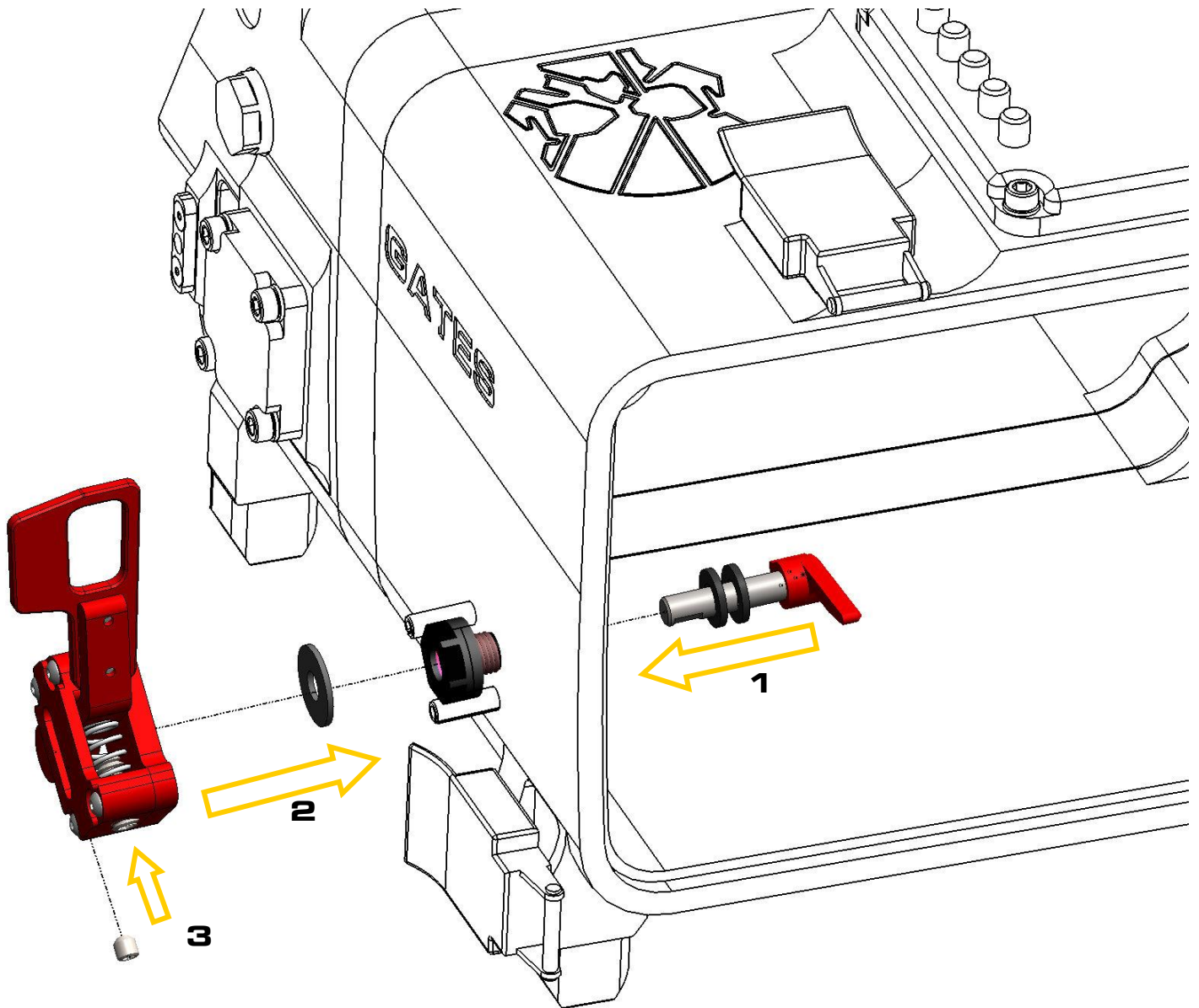
Install Power Control Head

- ✓ Remove the DK Power Control first by loosening the set screw noted below. Install the new Power Control as shown. **Tighten the set screw firmly onto the control shaft flat spot.** This is important to avoid unintentional loosening of the set screw and water intrusion.



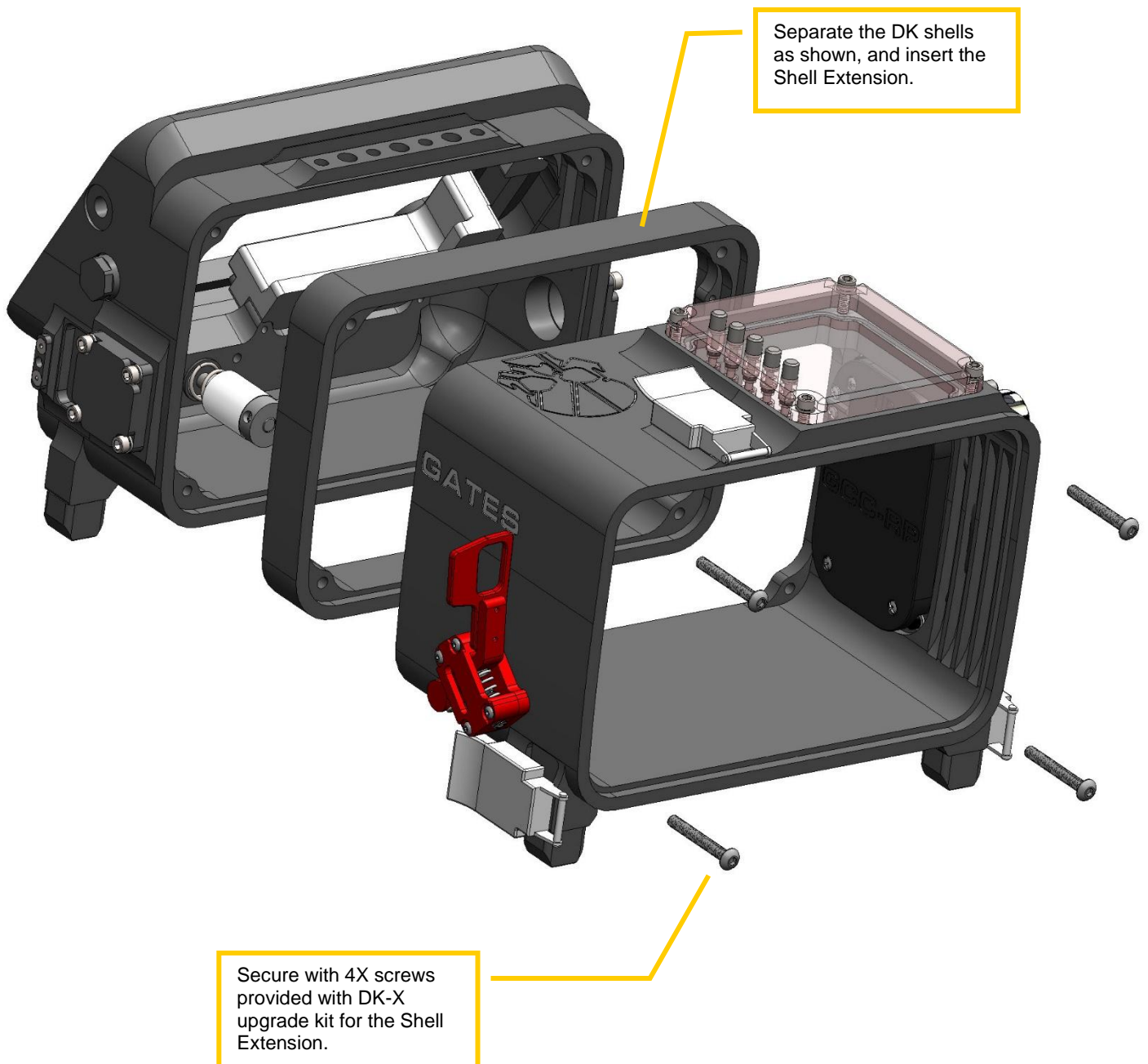
Install DK-X Record Control.

- ✓ Remove DK Record Control as shown, using the 7/64 tool included with your DK tool kit. Install the replacement control as shown, and tighten the control head screw firmly, but do not overtighten.



Install DK-X Rear Shell Extension

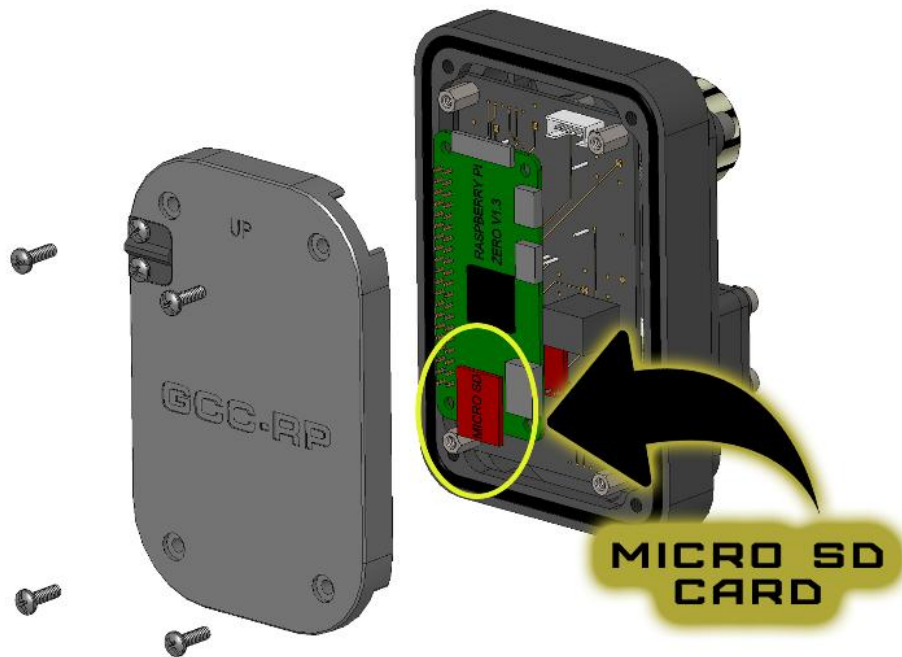
- ✓ Removal of 4 screws will separate the DK-X Rear Shell and allow insertion of the DK-X Rear Shell Extension as shown. Use 4x screws included with this kit to fasten the shells together. Tighten screws in a cross pattern, and tighten firmly. Do not overtighten.



Install DK-X GCC Firmware.

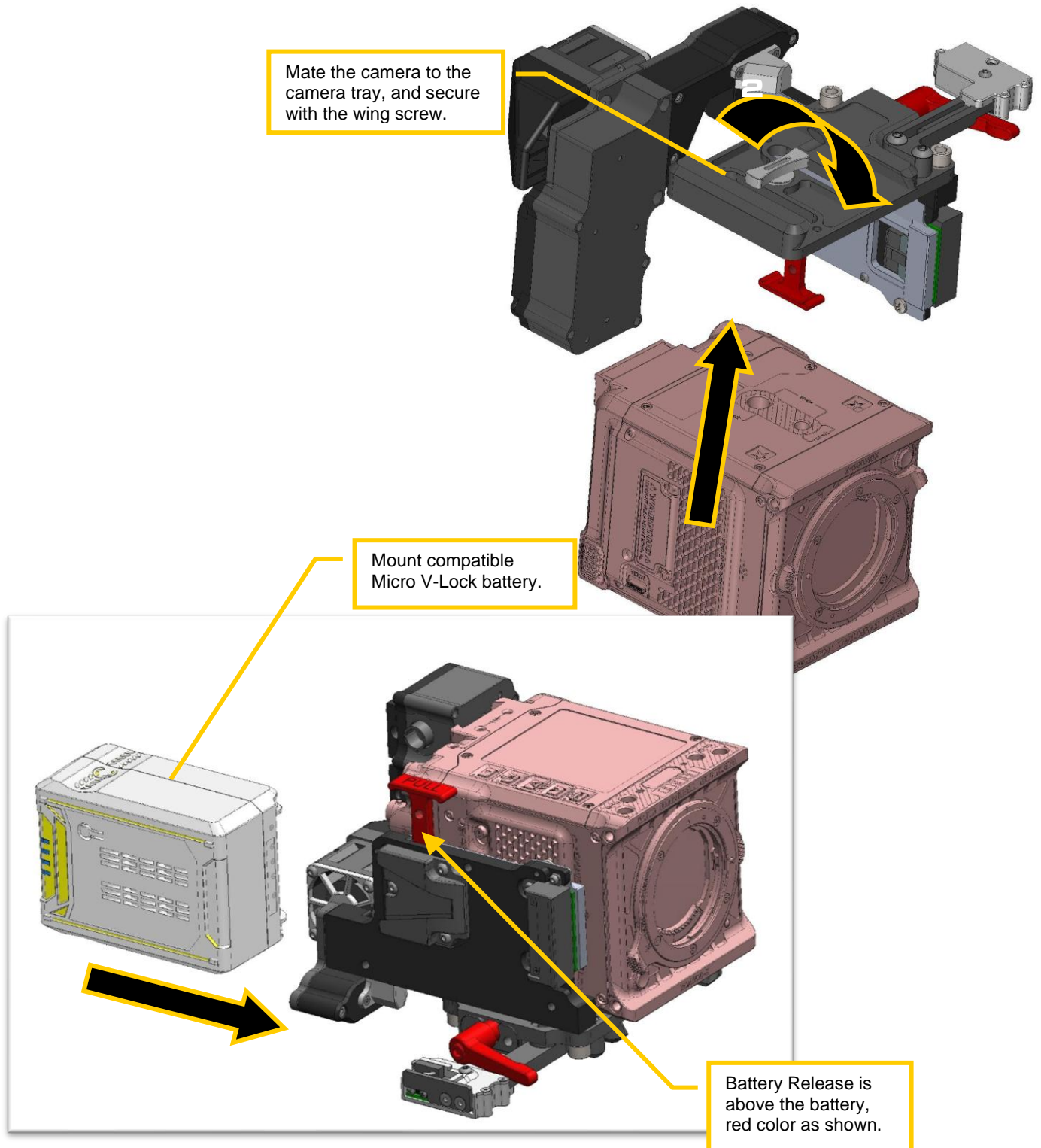
- ✓ To install DK-X GCC firmware, remove GCC rear cover screws (x4). Extract the Micro SD card, update the firmware to the latest [DK-X version from Gates website](https://www.gateshousings.com/gcc-update-dk-x/), re-install, and verify operation.

Firmware link: <https://www.gateshousings.com/gcc-update-dk-x/>



Utilize DK-X Camera Tray

An entirely different camera tray is required for DK-X. This is due to the use of micro-v-lock batteries for KOMODO-X camera. Refer to the full DK-X SU&C Guide for full details.



Utilize DK-X LCD Power / SDI Cables

- ✓ Included with your DK-X upgrade kit are new, LCD power / SDI cables. These are longer, and necessary due to the DK-X extended shell design. Utilize these cable when connecting KOMODO camera and LCD.

Trim Float Set

- ✓ A set of trim floats included with this DK-X Upgrade Kit:

1x Port Shade Trim Float

1x DK-X Rear Trim Float

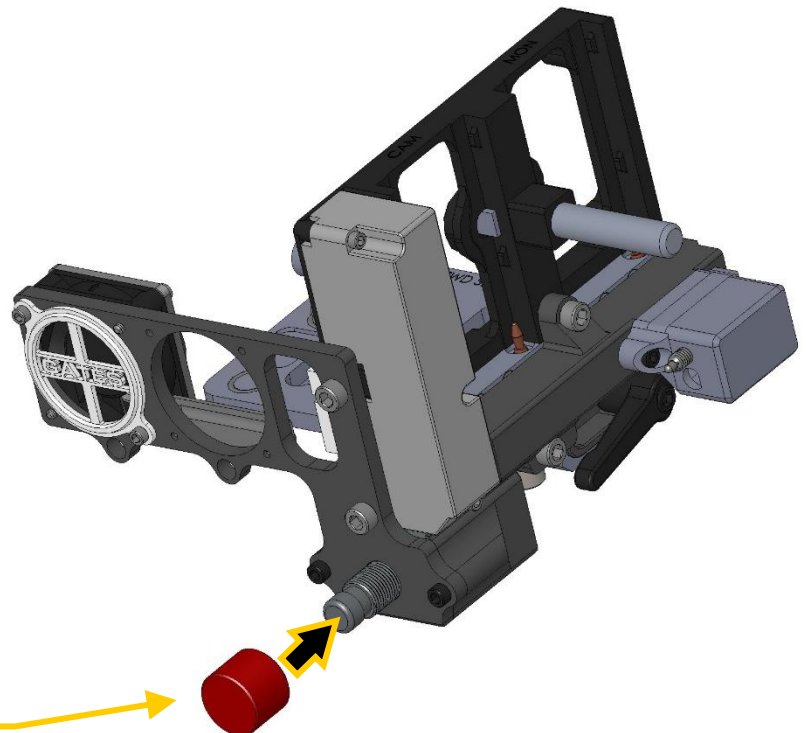
1x DK-X Front Trim Float

Refer to the full [DK-X Setup, Use and Care Guide](#) for distribution of trim weights and trim floats.

Using RED KOMODO camera in your upgraded DK-X Housing

Switching back to using KOMODO camera requires three steps:

- ✓ Restore the original DK Record Control. Reverse the process noted on page 7 (installing the DK-X Record Control).
- ✓ Utilize the original DK Camera Tray.
- ✓ Install a power switch spacer to the power switch on the DK Camera Tray. This spacer bridges the gap between DKX Power Control and DK camera power switch.



Press spacer onto power switch.

Customer Support

Should you have any questions about DK-X and its operation, please contact Gates at the numbers below.

Email: Customer.srvc@GatesHousings.com

Web: www.GatesHousings.com

Phone: +1-858.391.0052