

**EM7 CINE WITH  
SHADE EXTENSION**

**DIMENSIONS ARE IN INCHES  
TOLERANCES:**

FRACTIONAL ±  
ANGULAR: MACH ± BEND ±  
TWO PLACE DECIMAL ±.01  
THREE PLACE DECIMAL ±.005

	NAME	DATE
CREATED	VL	6-2023
CHECKED	NA	NA
ENG APPR.	NA	NA

**PROPRIETARY AND CONFIDENTIAL**  
THE INFORMATION CONTAINED IN  
THIS DRAWING IS THE SOLE  
PROPERTY OF **GATES**  
**UNDERWATER PRODUCTS, INC.**  
ANY REPRODUCTION IN PART OR  
AS A WHOLE WITHOUT THE  
WRITTEN PERMISSION OF GATES  
UNDERWATER PRODUCTS, INC IS  
PROHIBITED.



DESCR :

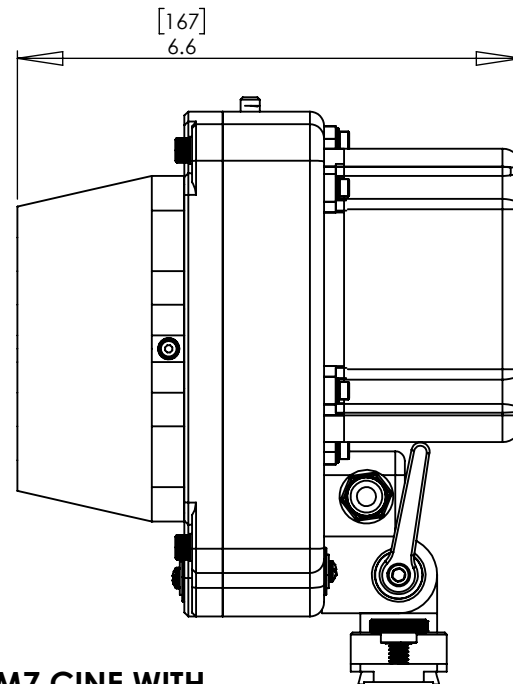
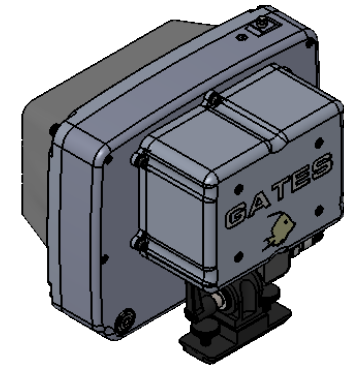
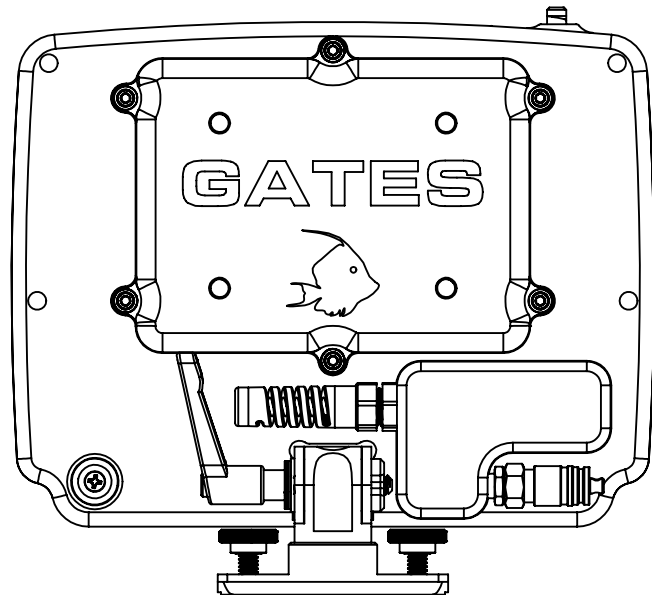
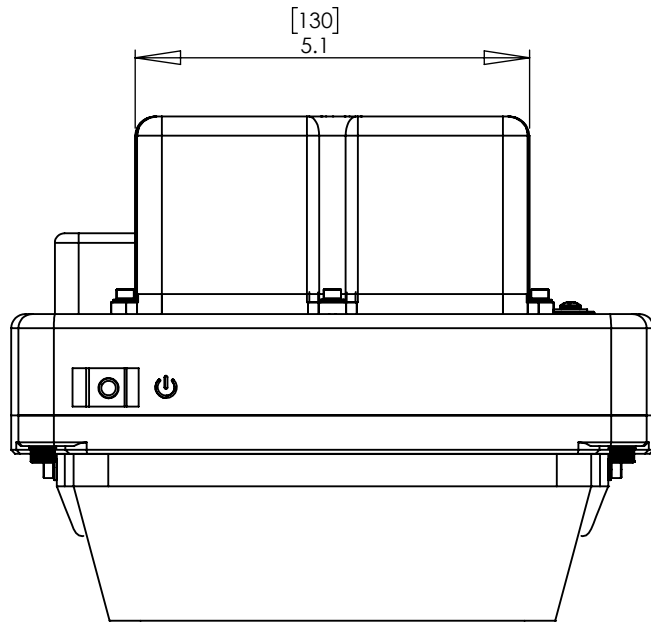
**EM7 CINE  
DIMENSIONAL DRAWING**

PROJECT: EM7 CINE

SIZE	PART NUMBER:	REV.
<b>A</b>	0260-10-501	

DO NOT SCALE DRAWING

SHEET 1 OF 2



**EM7 CINE WITH  
EXTENDED BATTERY SHELL**

PROPRIETARY AND CONFIDENTIAL  
THE INFORMATION CONTAINED IN  
THIS DRAWING IS THE SOLE  
PROPERTY OF GATES  
UNDERWATER PRODUCTS, INC.  
ANY REPRODUCTION IN PART OR  
AS A WHOLE WITHOUT THE  
WRITTEN PERMISSION OF GATES  
UNDERWATER PRODUCTS, INC IS  
PROHIBITED.



DESCR:

**ASSY, EM7 CINE, EXTERNAL  
MONITOR HOUSING**

PROJECT: EM7 CINE

SIZE PART NUMBER:

**A**

0260-10-501

REV.

DO NOT SCALE DRAWING

SHEET 2 OF 2