



# **PRO ACTION Upgrade - RAPTOR**

***Setup, Use, and Care Guide ADDENDUM***

***For using with RED DSMC3 V-RAPTOR Camera***

Copyright 2022, Gates Underwater Products, Inc.

Last document revision: 24 January 2022

This manual and current revision is available in 8.5 x 11 size and full color at

<http://www.gateshousings.com/documentation.html>

***Gates Underwater Products, Inc.***

13685 Stowe Drive Ste A  
Poway, California 92064 USA

Phone: +1.858.391.0052  
Web: GatesHousings.com

# Table of Contents

---

	Setup, Use, and Care Guide ADDENDUM .....	1
1:	Introduction.....	4
	Warranty Disclaimer .....	4
	RED Items Required.....	4
	Unpacking the PRO ACTION – RAPTOR Upgrade Kit .....	4
2:	Upgrade Steps.....	5
	RECORD Control Head .....	5
	ASSIGN Control Head .....	7
	V-RAPTOR Install.....	9
	Power and Record Trigger cables.....	11
3:	Customer Support .....	12

# 1: Introduction

---

The PRO ACTION Upgrade allows the use of the RED DSMC3 RAPTOR Camera. After upgrade, PRO ACTION – RAPTOR remains compatible with RED DSMC2, RED DSMC, and ARRI Mini cameras. Refer to the PRO ACTION SU&C Guide for more details.

## ***Warranty Disclaimer***

It is your responsibility to learn the proper setup, use and care of the PRO ACTION Upgrade.

We warrant the parts provided with the PRO ACTION Upgrade for a period of 2 years.

If you have any questions about this accessory kit, contact Gates directly. Details are in section 3.

## ***RED Items Required***

The following user supplied items are required to operate PRO ACTION – RAPTOR upgrade

- ✓ **DSMC3 V-RAPTOR Camera.**

## ***Unpacking the PRO ACTION – RAPTOR Upgrade Kit***

The items included in your kit are listed below. If you discover any discrepancies, contact Gates or your dealer immediately for assistance.

### ***Kit Components***

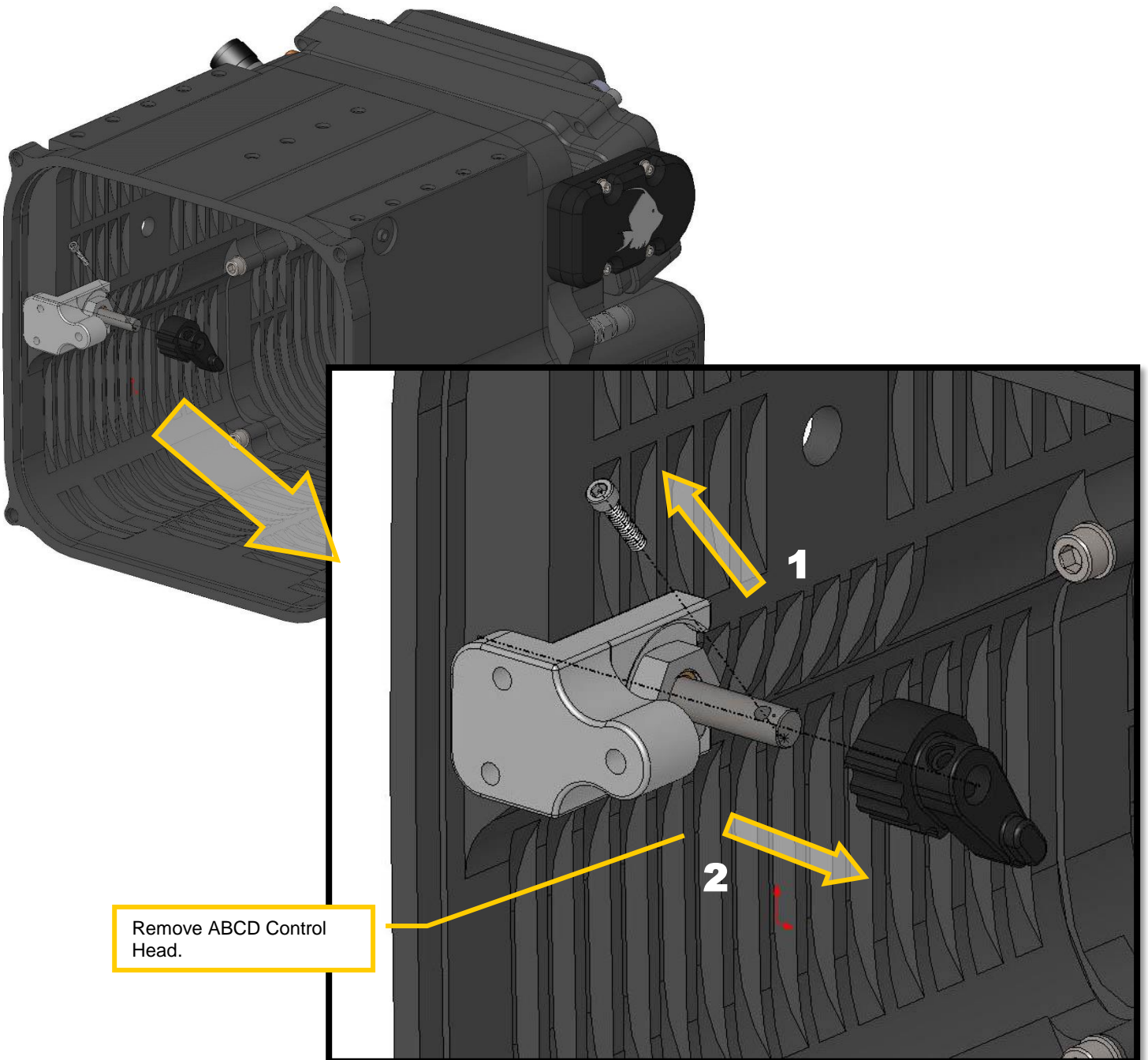
- ✓ **0125-10-512 RAPTOR ADAPTER Camera mount**
- ✓ **5000-94-288 Cable Assembly PA-R Rec Trigger**
- ✓ **5000-94-294 Cable Assembly PA-R PWR RA**
- ✓ **REC Control Head**
- ✓ **ASSIGN Control Head**

## 2: Upgrade Steps

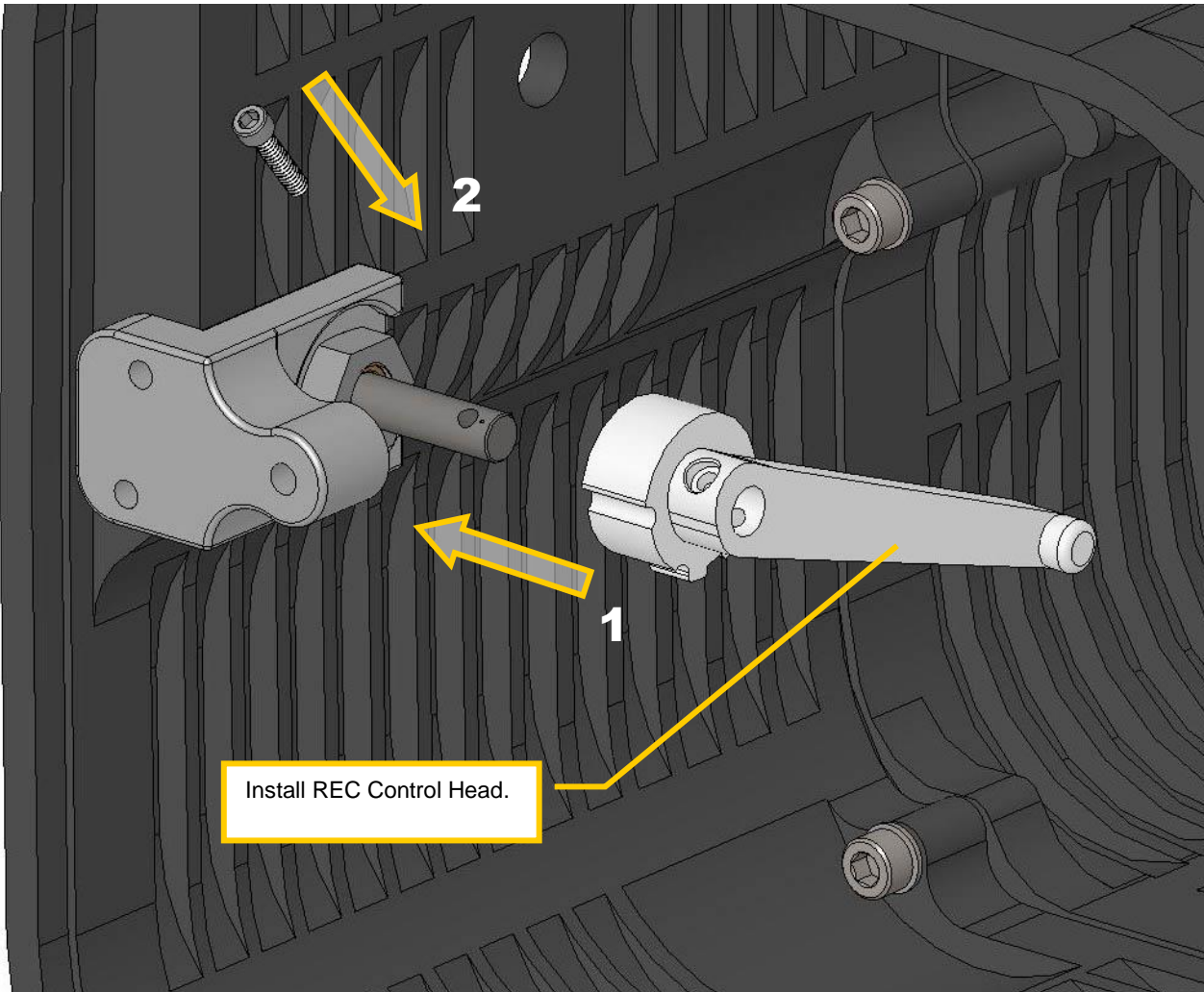
### ***RECORD Control Head***

The Record Control Head is an alternate REC control or a backup should the Record Trigger become inoperable.

- ✓ **Remove the existing ABCD control head** as shown below. First remove the securing screw.



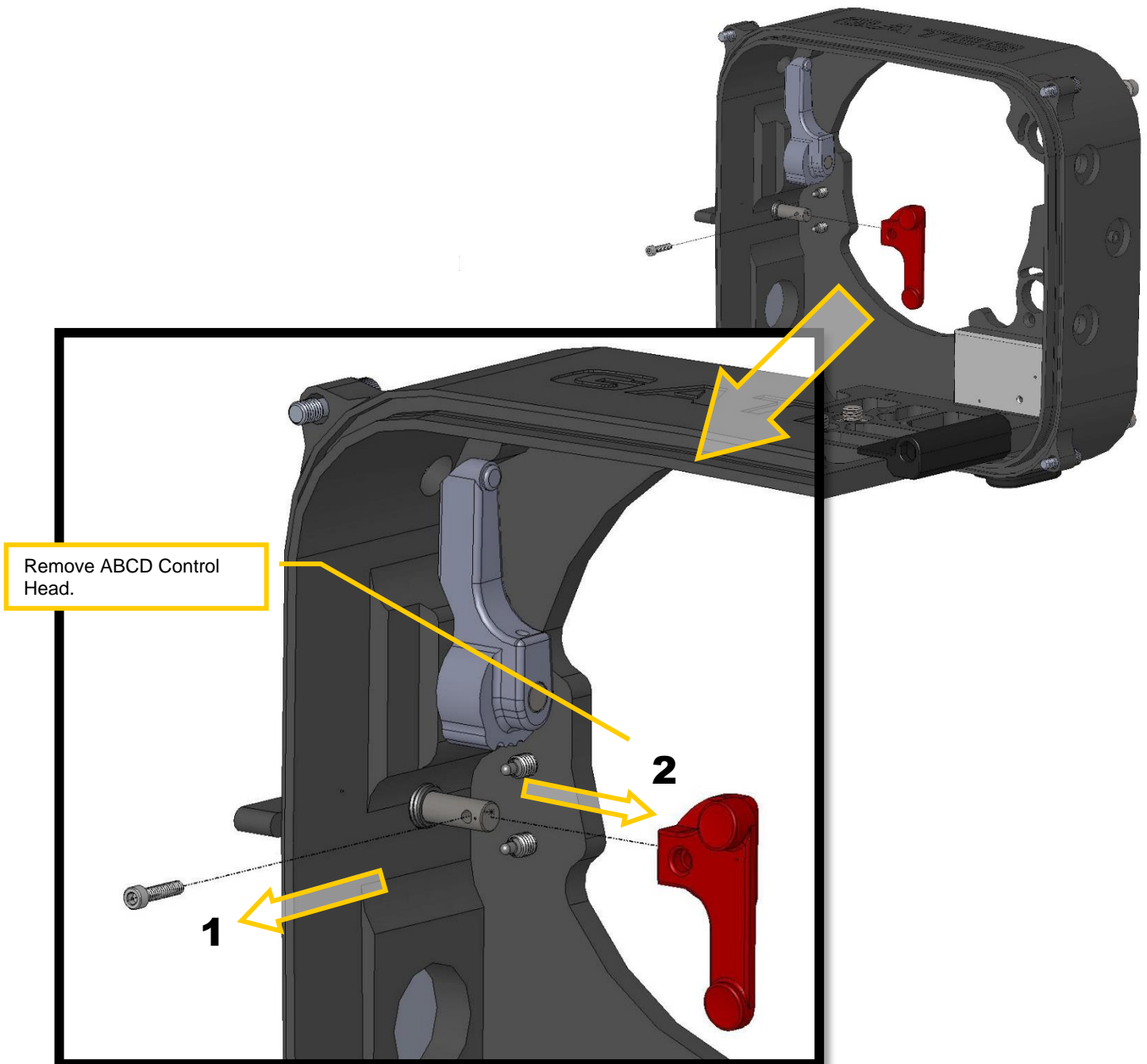
✓ Install new REC Control head as shown below.



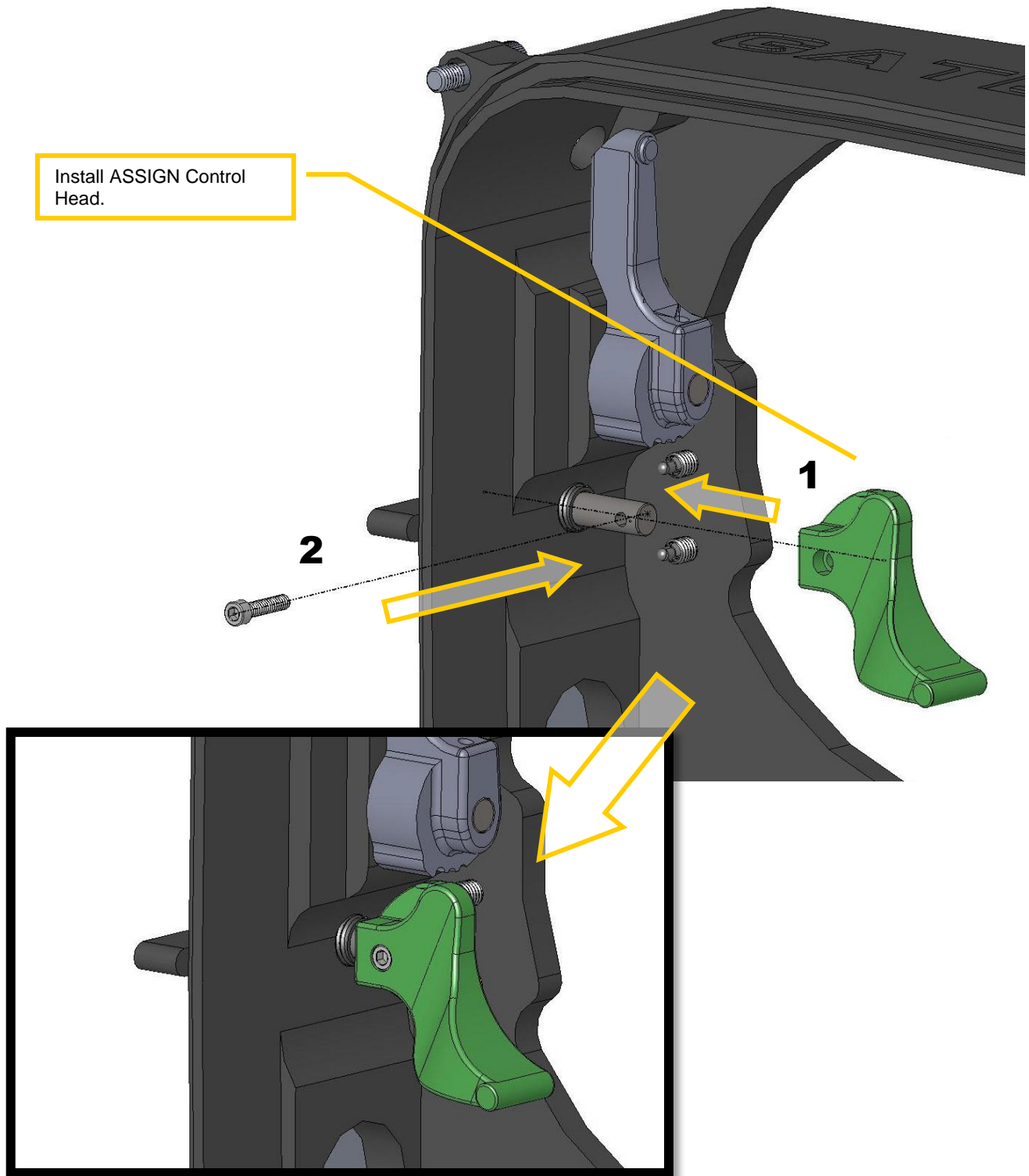
## ASSIGN Control Head

The ASSIGN Control Head is an alternate REC control or a backup should the Record Trigger become inoperable.

- ✓ **Remove the existing ASSIGN control head** as shown below. First remove the securing screw.



- ✓ **Install new ASSIGN Control head** as shown below. Use 3/32 hex tool from your original Pro Action tool kit.

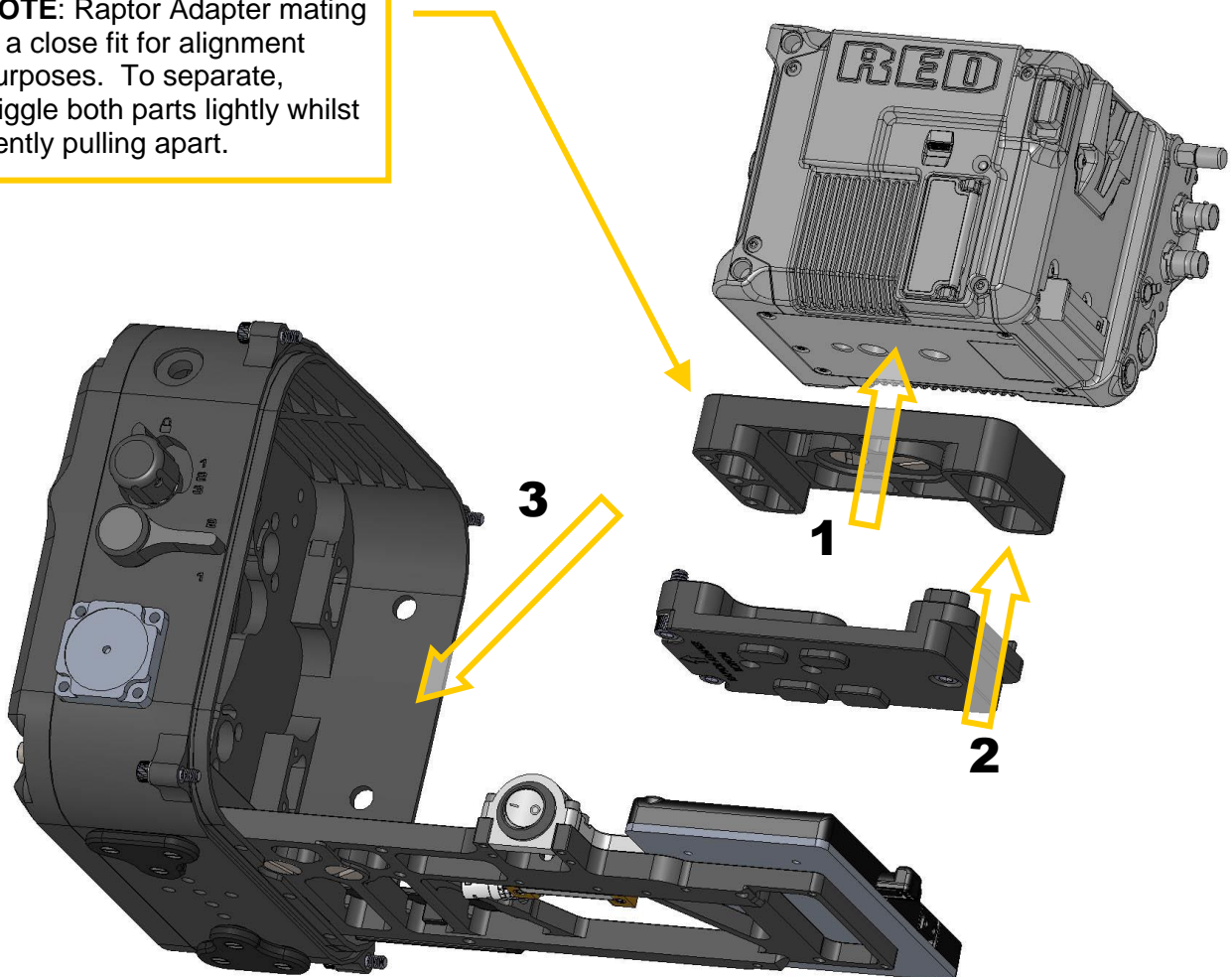


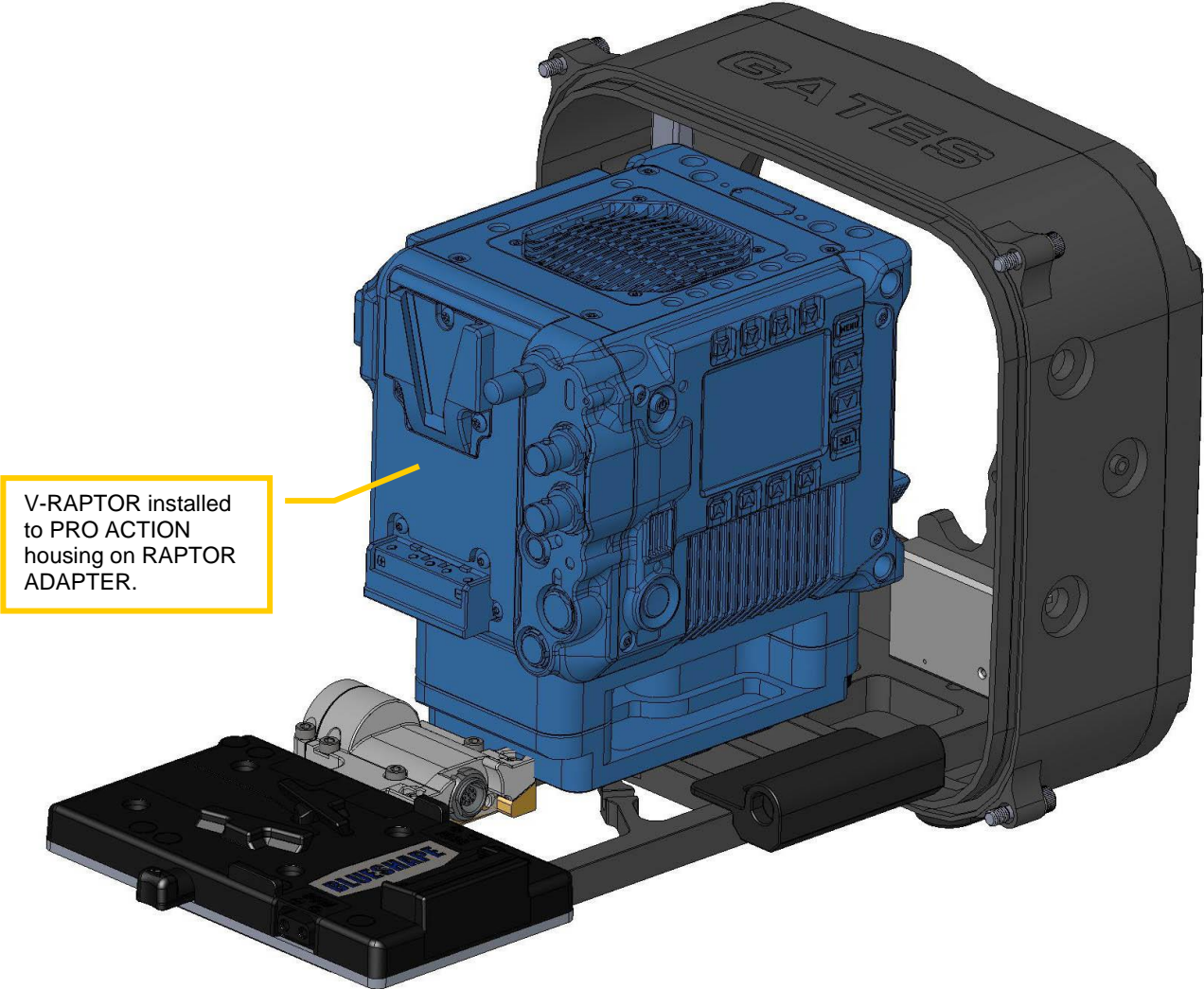
## V-RAPTOR Install

After stripping down the V-RAPTOR Camera to just the camera body

- ✓ **Mount RAPTOR ADAPTER upper plate** to camera. Secure 3/8-16 captive screws firmly using the RED Sidewinder tool or wide blade screwdriver.
- ✓ **Mount RAPTOR ADAPTER bottom plate** to upper plate. Use 3/16 ball driver included in your original PRO ACTION tool kit, and secure firmly.
- ✓ **Install V-RAPTOR Camera to PRO ACTION housing.** Secure camera to housing tray using 3/8-16 captive screws and RED Sidewinder tool or wide blade screwdriver.

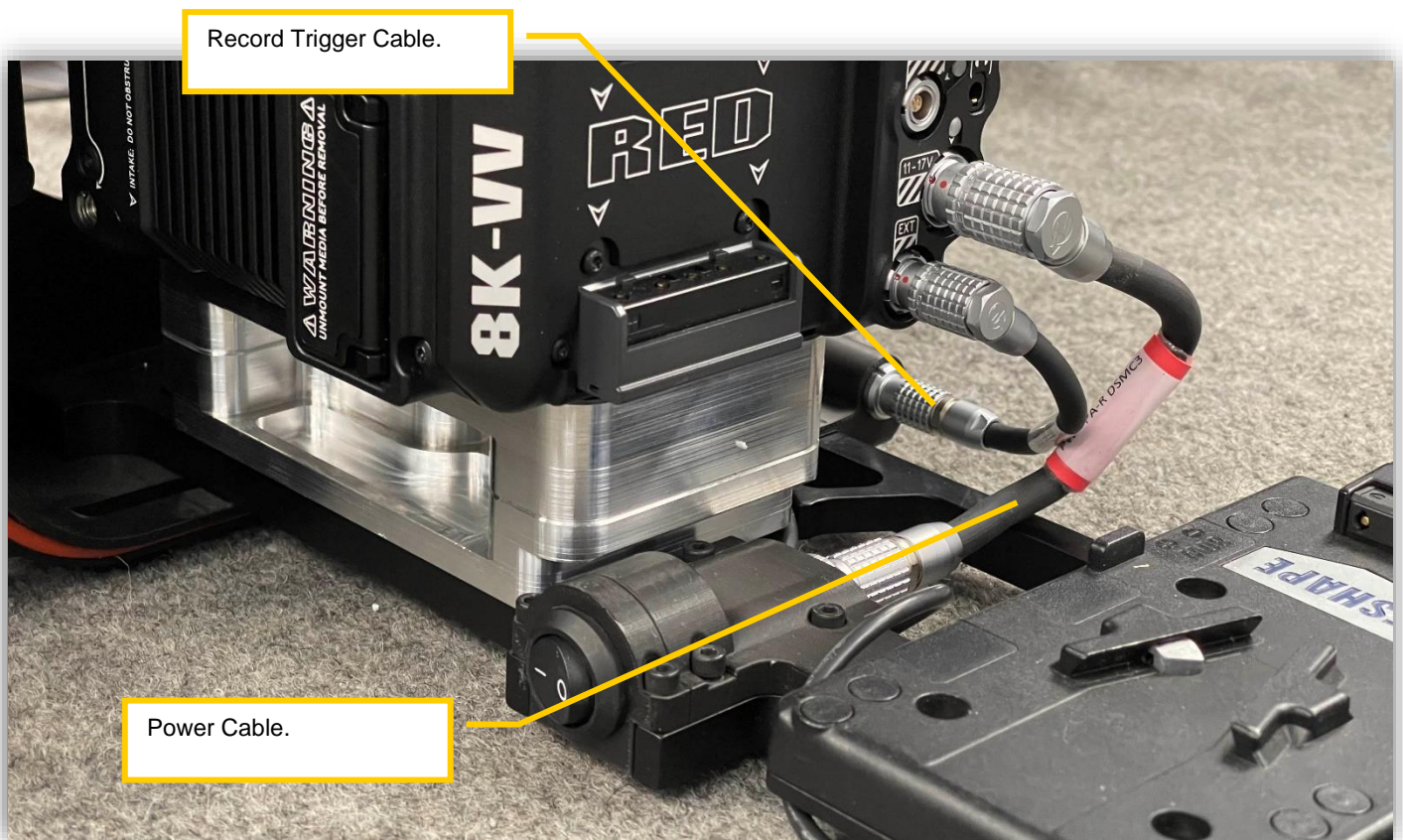
**NOTE:** Raptor Adapter mating is a close fit for alignment purposes. To separate, wiggle both parts lightly whilst gently pulling apart.





## ***Power and Record Trigger cables***

- ✓ **Connect V-RAPTOR camera to system power with cable marked 5000-94-294.**
- ✓ **Connect V-RAPTOR camera to the housing Record Trigger with cable marked 5000-94-288**



### **3: Customer Support**

---

Should you have any questions about the PRO ACTION – RAPTOR Upgrade, please contact Gates at the numbers below.

Email: [Customer.svc@GatesHousings.com](mailto:Customer.svc@GatesHousings.com)

Web: [www.GatesHousings.com](http://www.GatesHousings.com)

Phone: 858.391.0052