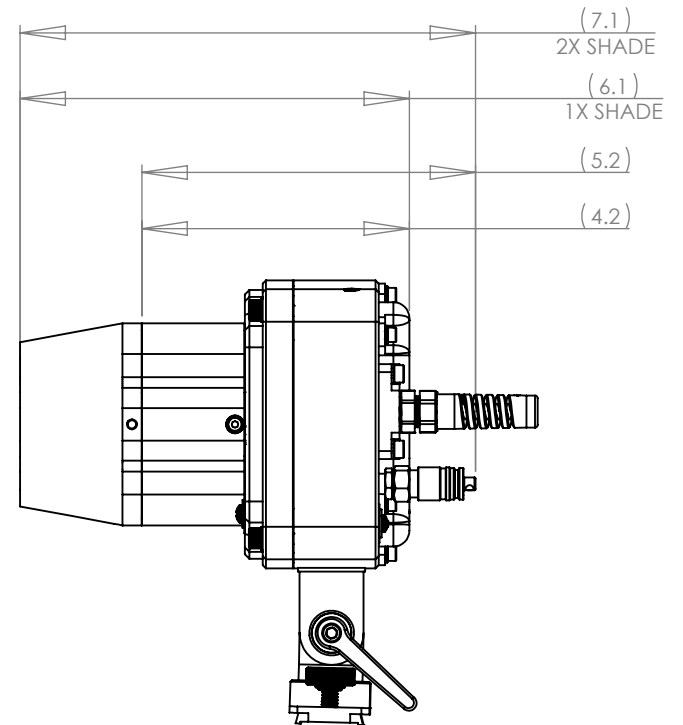


EM503 SHOWN WITH LOW PROFILE SHELL
POWER PROVIDED BY MAIN CAMERA HOUSING



**DIMENSIONS ARE IN INCHES
TOLERANCES:**

FRACTIONAL ±
ANGULAR: MACH ± BEND ±
TWO PLACE DECIMAL ±.01
THREE PLACE DECIMAL ±.005

	NAME	DATE
CREATED	VL	9-2021
CHECKED	NA	NA
ENG APPR.	NA	NA

PROPRIETARY AND CONFIDENTIAL
THE INFORMATION CONTAINED IN
THIS DRAWING IS THE SOLE
PROPERTY OF **GATES**
UNDERWATER PRODUCTS, INC.
ANY REPRODUCTION IN PART OR
AS A WHOLE WITHOUT THE
WRITTEN PERMISSION OF GATES
UNDERWATER PRODUCTS, INC IS
PROHIBITED.



DESCR :
ASSY, EM503

PROJECT: EM503

SIZE PART NUMBER:

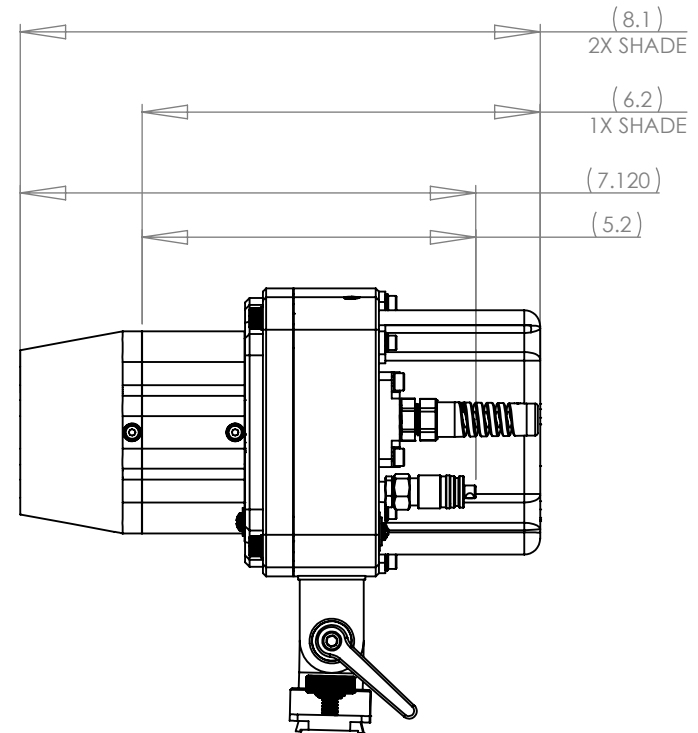
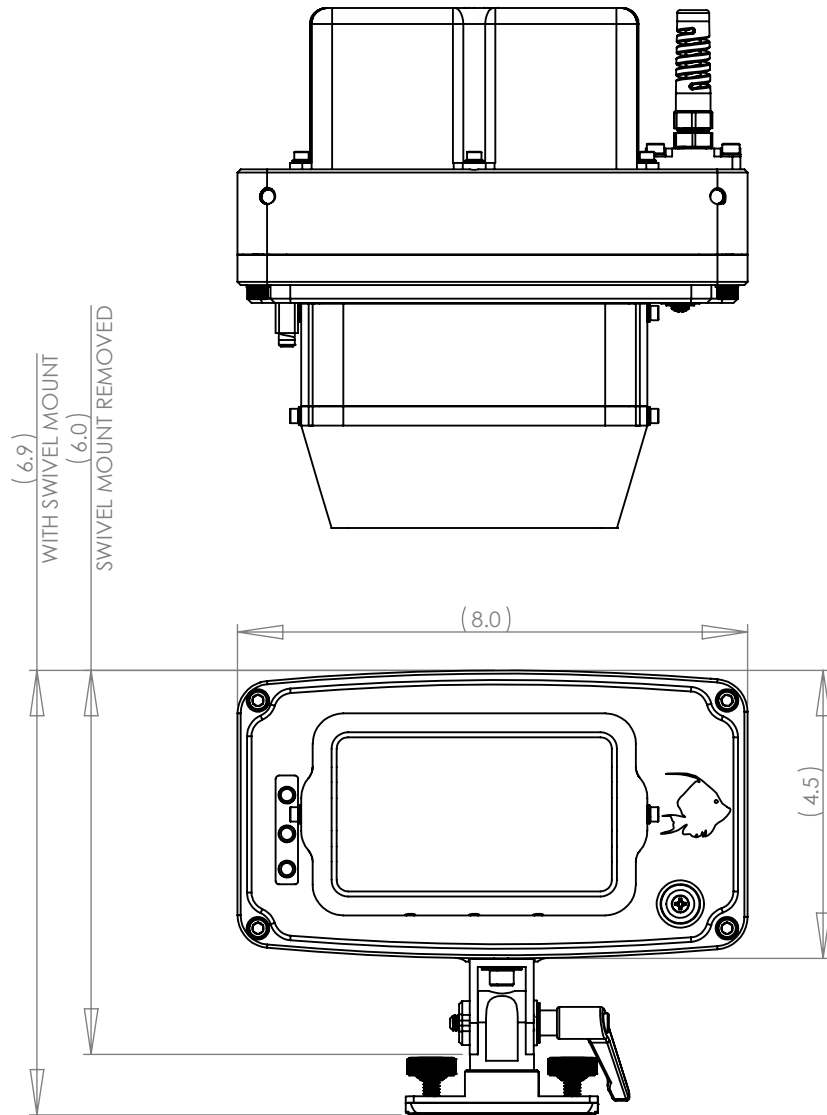
A 0235-10-501

REV.
1

DO NOT SCALE DRAWING

SHEET 1 OF 2

EM503 SHOWN WITH REAR BATTERY SHELL
 ACCOMODATES 2X NP-F970 OR EQUIVALENT



**DIMENSIONS ARE IN INCHES
 TOLERANCES:**
 FRACTIONAL ±
 ANGULAR: MACH ± BEND ±
 TWO PLACE DECIMAL ±.01
 THREE PLACE DECIMAL ±.005

	NAME	DATE
CREATED	VL	9-2021
CHECKED	NA	NA
ENG APPR.	NA	NA

PROPRIETARY AND CONFIDENTIAL
 THE INFORMATION CONTAINED IN
 THIS DRAWING IS THE SOLE
 PROPERTY OF **GATES**
UNDERWATER PRODUCTS, INC.
 ANY REPRODUCTION IN PART OR
 AS A WHOLE WITHOUT THE
 WRITTEN PERMISSION OF GATES
 UNDERWATER PRODUCTS, INC IS
 PROHIBITED.



DESCR :		ASSY, EM503	
PROJECT: EM503			
SIZE	PART NUMBER:		REV.
A	0235-10-501		1
DO NOT SCALE DRAWING			SHEET 2 OF 2