

RPT7 / RTB7 External Monitor Housing

Setup, Use, and Care Guide

Copyright 2020, Gates Underwater Products, Inc.

Photos © Gates Underwater Products

This manual and current revision is available in 8.5 x 11 size and full color at

<http://www.gateshousings.com/documentation.html>

Gates Underwater Products, Inc.

13685 Stowe Drive Suite A
Poway, California 92064 USA

+1.858.391.0052

+1.858.391.0053

GatesHousings.com

Table of Contents

	Setup, Use, and Care Guide.....	1
	Introducing the RPT7 External Monitor Housing	4
	Features	4
	Warranty Disclaimer	4
	Required Components.....	4
	Unpacking the RPT7.....	5
1:	Cautions	6
2:	RPT7 Setup.....	7
	Monitor Preparation	7
	Open the RPT7 External Monitor Housing	8
	Installing the Monitor into the Housing	9
	Close the housing.....	11
	Mount RPT7 to Camera Housing	12
	Monitor Mount / Video Connections	13
	RPT7 Controls.....	14
3:	RPT7 Maintenance.....	15
	Housing Care and Maintenance	15
	O-Ring Care and Maintenance	15
4:	Customer Support	16

Introducing the RPT7 / RTB7 External Monitor Housing

Congratulations on owning a new Gates product. This Setup, User and Care Guide is applicable to both Gates External Underwater Monitor Models RPT7 for the RED PRO TOUCH 7 LCD (SKU 730-0025) and RTB7 for the RED ULTRA BRITE LCD (SKU 730-0026). You've selected an underwater imaging tool that will provide years of value and reliable service.

Please read through this entire guide to learn about the RPT7 / RTB7 so you can get the most out of this imaging tool. In this section, we'll introduce you to the features of the RPT7 / RTB7 so you can get started.

Features

The RPT7 / RTB7 has several key features:

- **'Bulletproof' construction.** Gates legendary reliability is inherent in the RPT7 / RTB7 housing: machined aluminum shell, stainless hardware and reliable mechanical controls.
- **Designed** specifically for the **RED PRO TOUCH 7 LCD** field monitor with access to full menu and assignable controls.

Warranty Disclaimer

The RPT7 / RTB7 External Monitor Housing is a tool that, like any tool, requires knowledge and understanding to be effective.

Your responsibility is to learn the proper setup, use and care of the RPT7 / RTB7. Because we can only provide you with the information necessary to do so, Gates does not warrant the contents of your housing (e.g. electronics) under any circumstance.

We warrant the RPT7 / RTB7 as an image acquisition tool for a period of 2 years.

If you have any questions about the setup, use and care of the RPT7 / RTB7, contact Gates directly. Details are in section 4.

Required Components

The RPT7 / RTB7 External Monitor Housing requires the following components:

- RED PRO TOUCH 7 LCD. RED part number 730-0025.
- RED ULTRA BRITE LCD. RED part number 730-0026.

Unpacking the RPT7 / RTB7v

After you remove the RPT7 from its shipping container, carefully inspect it for missing parts or damage that may have occurred during shipment. If you discover any discrepancies, contact Gates or your dealer immediately for assistance.

Standard Parts

- **RPT7 / RTB7 External Monitor Housing.**
- **Spare O-Ring Kit.**
- **5/32 Ball Drive Tool.**
- **O-Ring Removal Tool.**

Cautions

- ▶ **USER RESPONSIBILITY.** This Setup, Use and Care guide contains important detailed procedures for setup and use of the RPT7 External Monitor Housing. It is the user's responsibility to read, understand and employ these procedures. Failure to do so can result in poor or non-operation of the RPT7 and may void your warranty.

Contact Gates if you have questions regarding this manual or using the RPT7.

1: RPT7 / RTB7 Setup

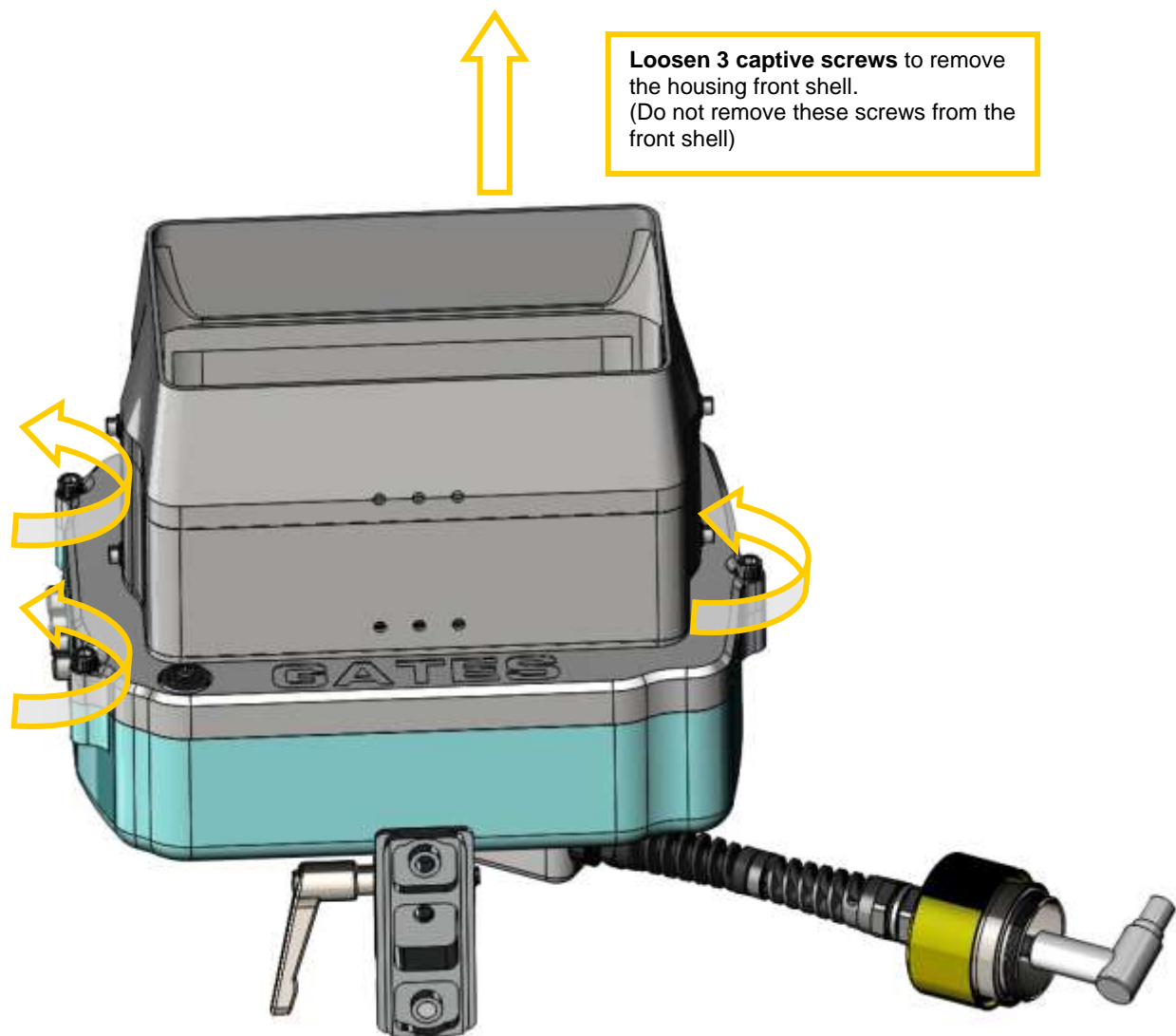
The RPT7 / RTB7 requires complete and thorough setup prior to use.

Monitor Preparation

- **Remove** any cables or accessories mounted to the RED PRO TOUCH 7 LCD or RED ULTRA BRITE LCD.



RED LCD. No mounts or cables attached.



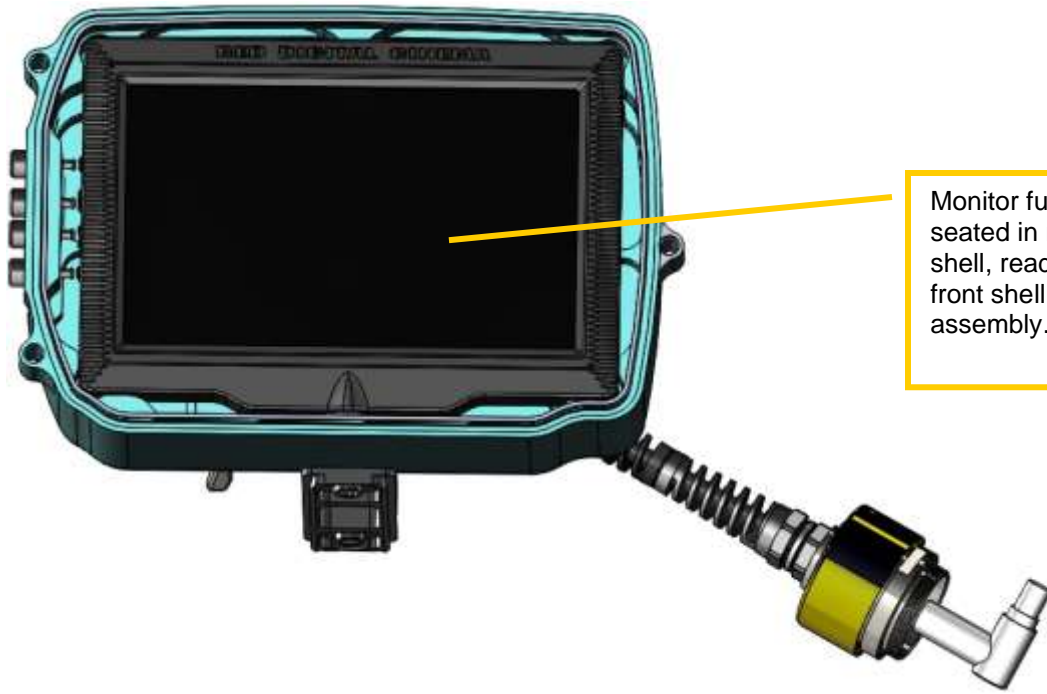
Open the RPT7 / RTB7 External Monitor Housing

- Loosen 3 captive screws with 5/32 tool.
- Lift the RPT7 front shell away from the rear shell.

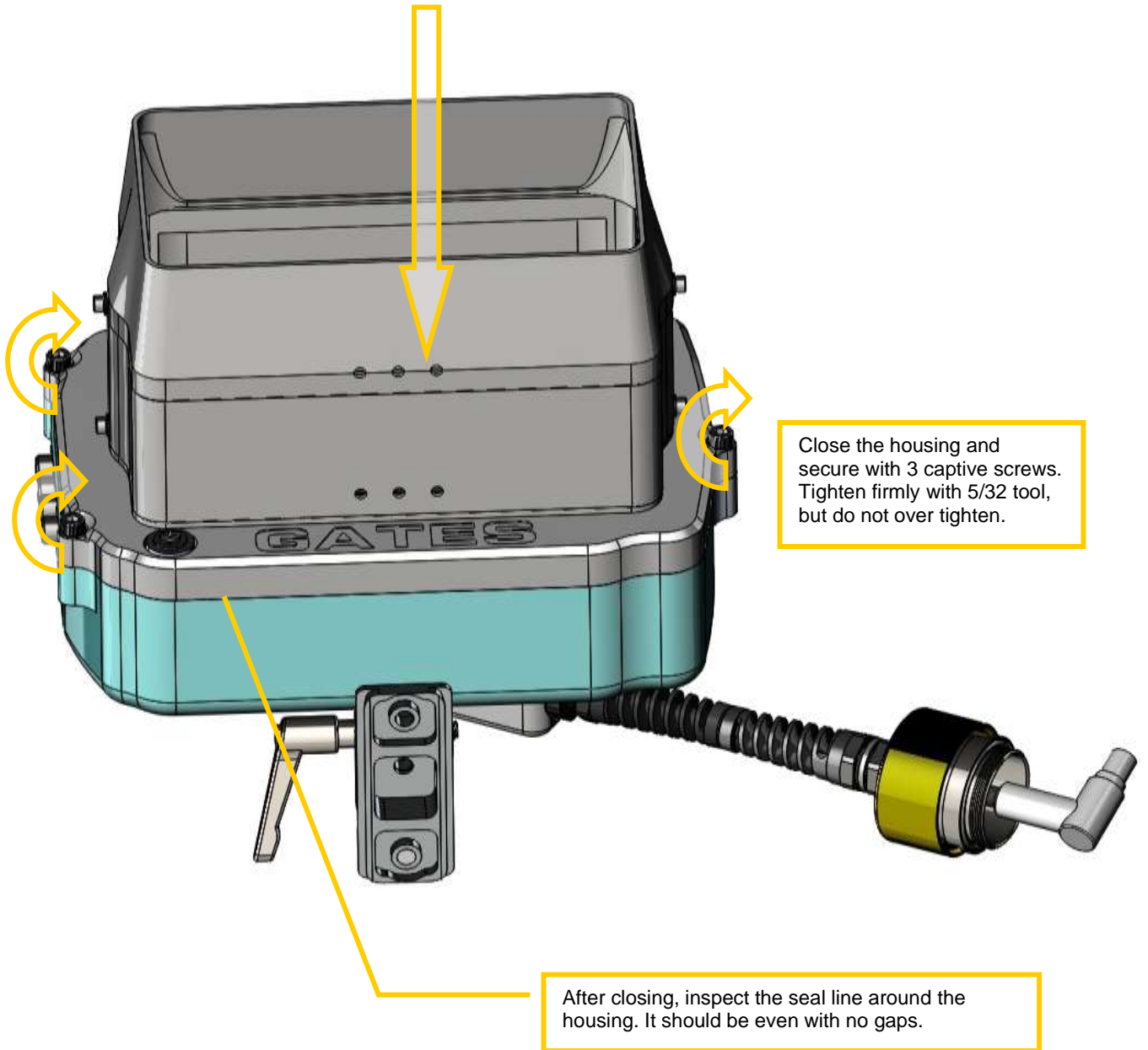


Installing the Monitor into the Housing

- **Plug the LEMO** connector into the monitor as shown.
- **Carefully Place** the monitor into the housing. Make sure the monitor is properly seated in the housing.

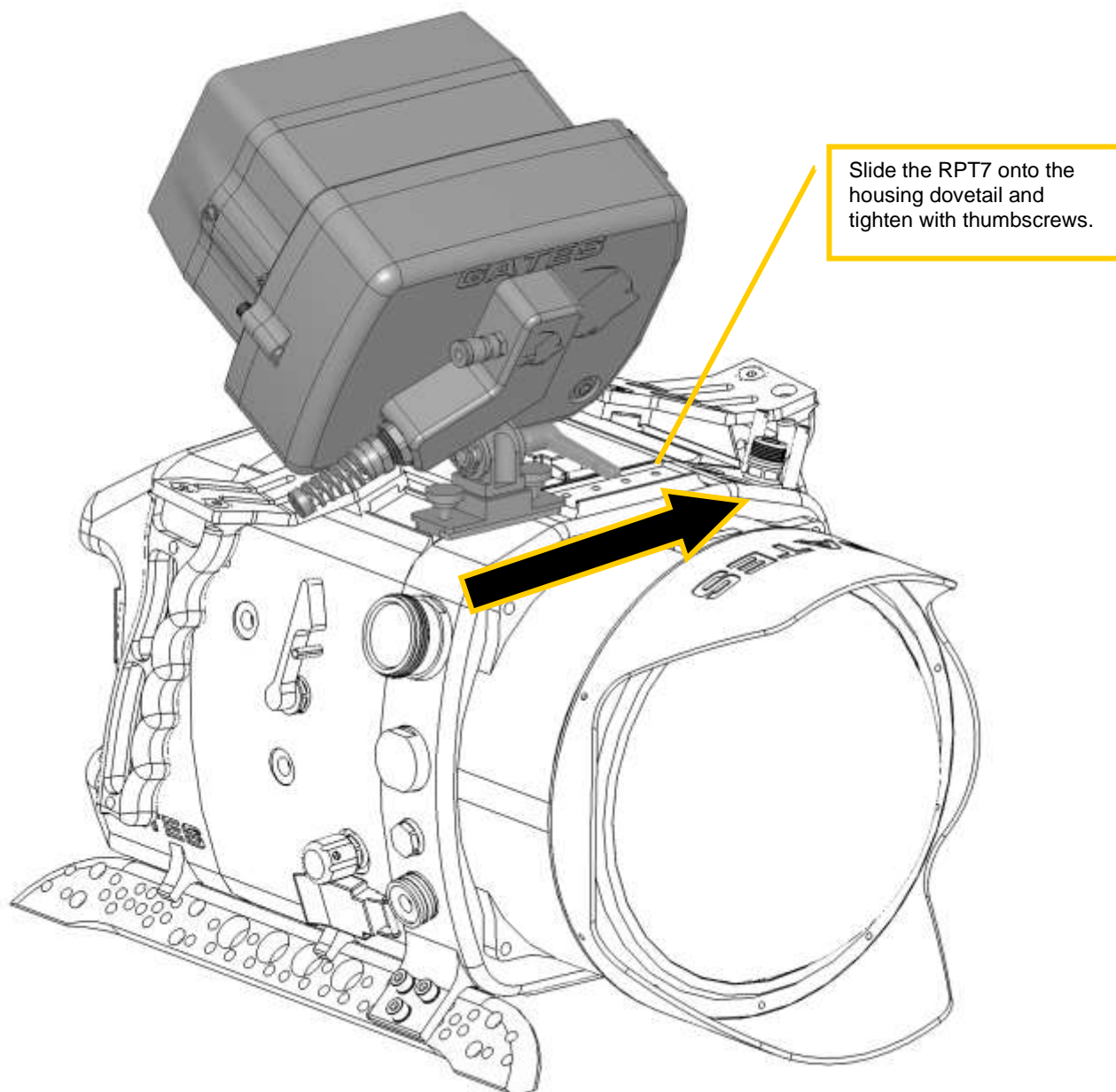


Monitor fully seated in rear shell, ready for front shell assembly.



Close the RPT7 / RTB7 External Monitor Housing

- **Tighten 3 captive screws firmly, but do not overtighten.**
- **Inspect the seal line.** Ensure that the seal line around the perimeter has no gaps.



Mount RPT7 / RTB7 to Camera Housing

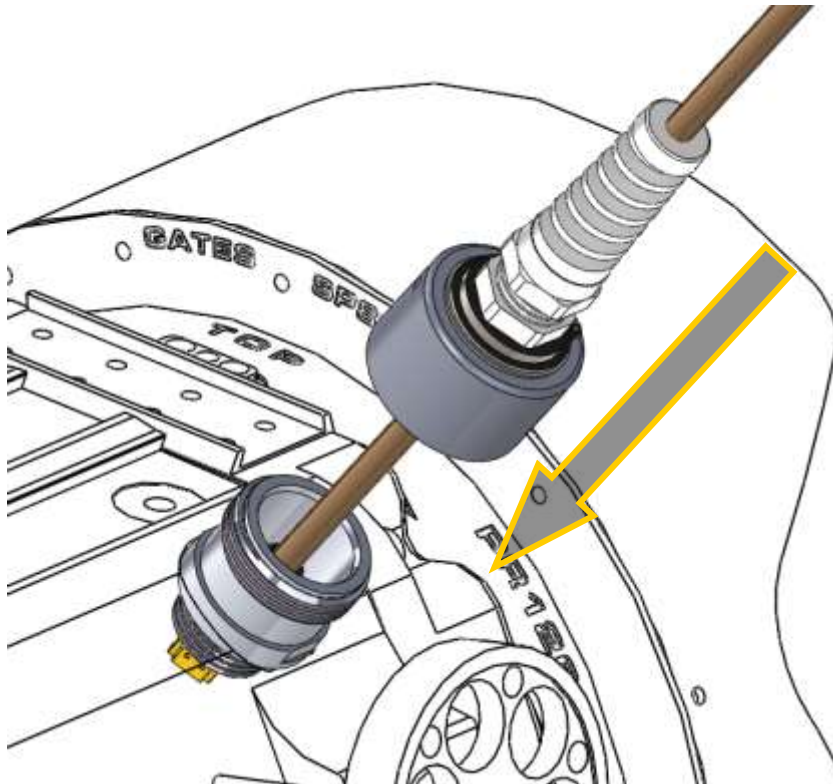
- **Slide RPT7 / RTB7 onto camera housings dovetail as shown.**
- **Tighten thumbscrews firmly to secure.**

Monitor Mount / Video Connections

- **Insert the Monitor Cable into the camera housing.** The RPT7 monitor cable is a 'pass through' type that inserts into the bulkhead opening on the housing.

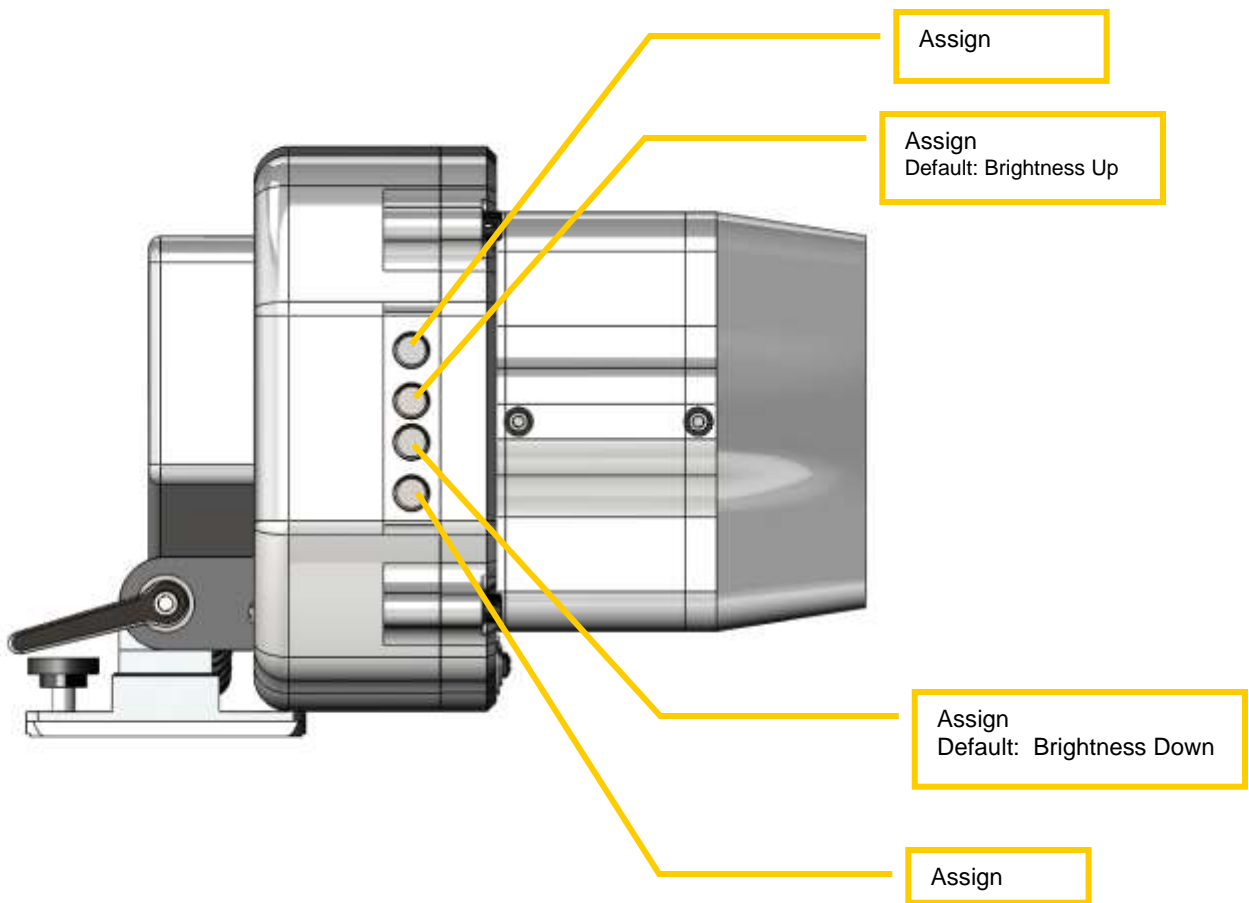
This step may be best performed and easier before the camera is installed in the housing.

- **Tighten the brass collar** until snug.
- **Install camera into camera housing** if not already done.
- **Connect to the LEMO connector** camera monitor output.



RPT7 / RTB7 Controls

- **Controls.** See the image below for the functions assigned to each Pushbutton control.



2: RPT7 / RTB7 Maintenance

Housing Care and Maintenance

Proper care of your Gates housing is important to provide you reliable operation and long life. You'll find all the guidelines in the "Housing Care and Maintenance" document included with your Gates housing. You can also find it on Gates web site at www.GatesHousings.com.

O-Ring Care and Maintenance

Your Gates RPT7 / RTB7 Underwater Housing has 1 serviceable o-ring. It is located between the Front and Rear shells, and the color is orange.

Servicing the o-rings is straightforward and covered in the "Housing Care and Maintenance" document in this package. It can also be found on the Gates website at www.gateshousings.com.

- ▶ **CAUTION: Do not lubricate the large orange o-ring! It is a special silicone o-ring and can be damaged by petroleum-based lubricants.**

- ▶ **CAUTION: Never use metal tools or objects for removing o-rings!**

3: Customer Support

Should you have any questions about the RPT7 and its operation, please contact Gates at the numbers below.

Email: Customer.srv@GatesHousings.com

Web: www.GatesHousings.com

Phone: 858.391.0052

Fax: 858.391.0053