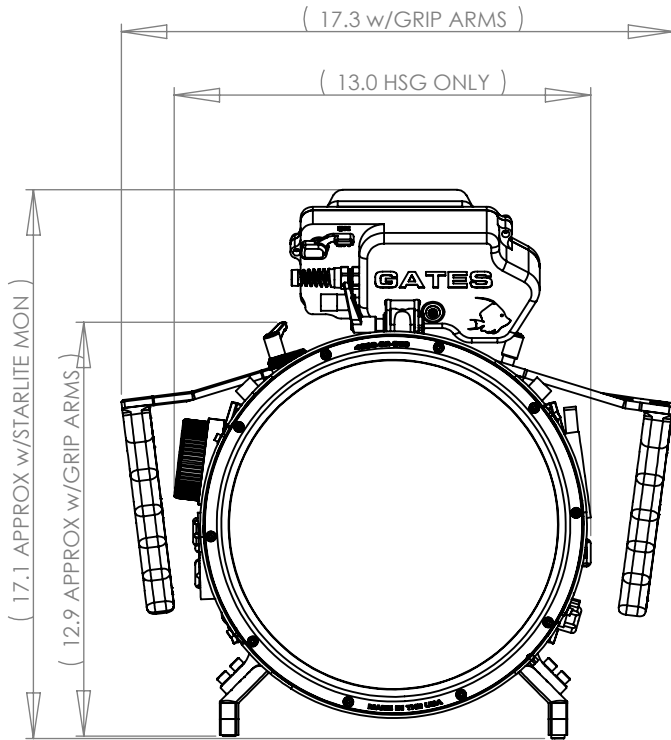
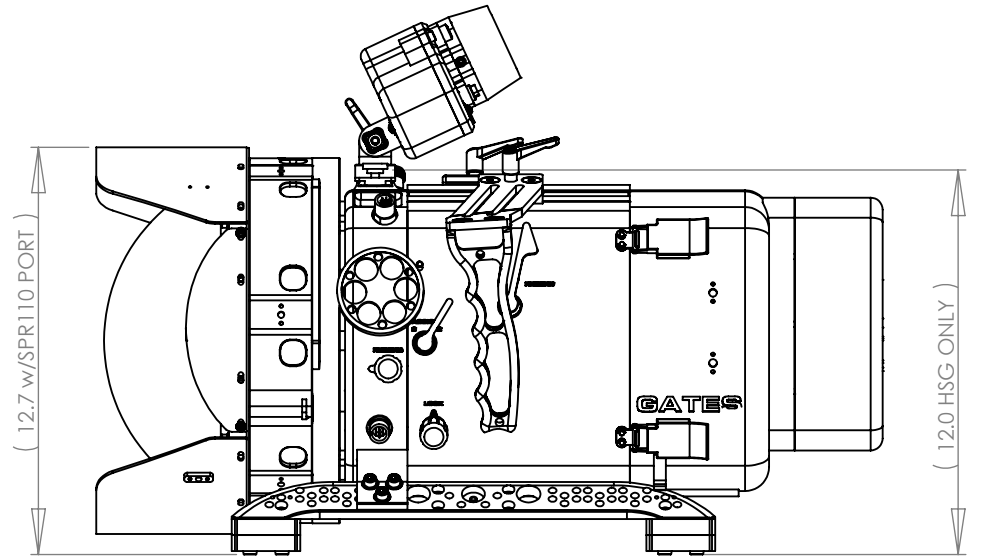
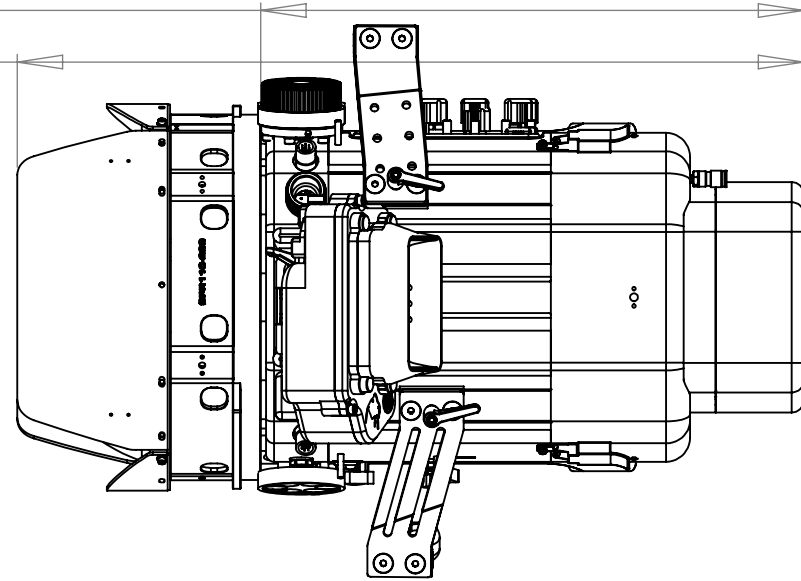


HOUSING SHOWN WITH STARLITE EXTERNAL MONITOR, SP110-10 DOME PORT, SPR110-200 PORT RING. LENGTH AND HEIGHT WILL VARY WITH DIFFERENT CONFIGURATIONS AND ACCESSORIES



(17.0 HSG ONLY)
(24.6 w/SP110 + SPR110-200)



	NAME	DATE
CREATED	JJE	
CHECKED		
ENG APPR.		

PROPRIETARY AND CONFIDENTIAL
THE INFORMATION CONTAINED IN THIS DRAWING IS THE SOLE PROPERTY OF **GATES UNDERWATER PRODUCTS, INC.** ANY REPRODUCTION IN PART OR AS A WHOLE WITHOUT THE WRITTEN PERMISSION OF GATES UNDERWATER PRODUCTS, INC IS PROHIBITED.

DIMENSIONS ARE IN INCHES TOLERANCES:

FRACTIONAL ±
ANGULAR: MACH ± BEND ±
TWO PLACE DECIMAL ±.01
THREE PLACE DECIMAL ±.005



ASSEMBLY NAME :

ALEXA HOUSING DIMENSIONS

PROJECT: ALEXA / ALEXA LF

SIZE PART NUMBER: OVERALL DIMENSIONS

DO NOT SCALE DRAWING

REV. 1

SHEET 1 OF 1