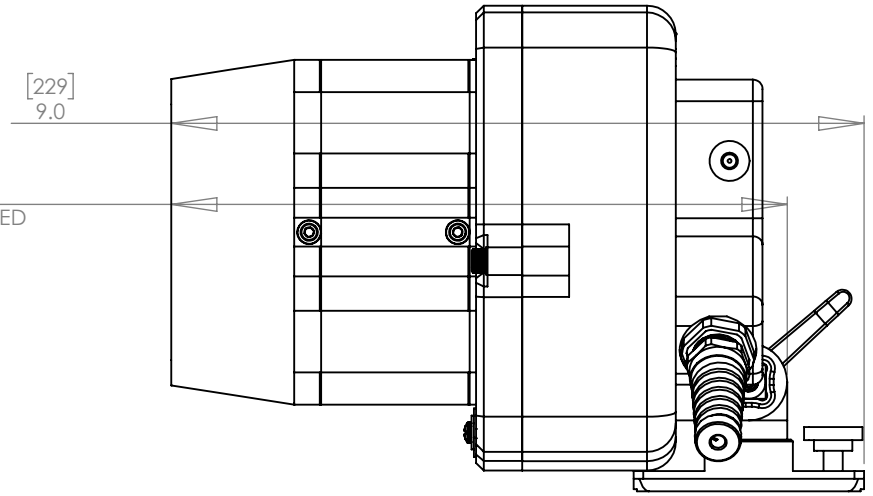
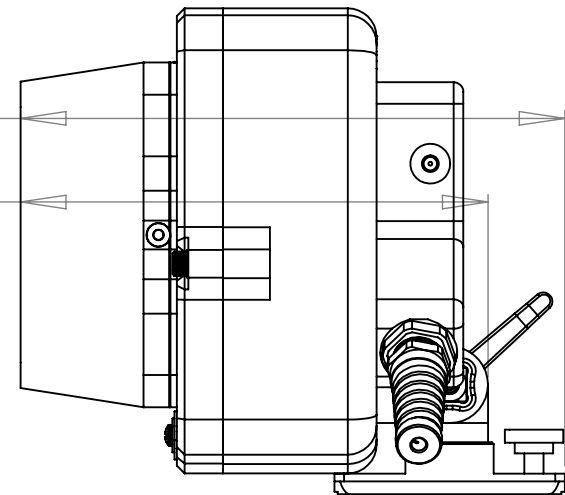


[204] 8.0
SWIVEL MT DETACHED



[180] 7.1
[155] 6.1
SWIVEL MT DETACHED



**DIMENSIONS ARE IN INCHES
TOLERANCES:**
 FRACTIONAL ±
 ANGULAR: MACH ± BEND ±
 TWO PLACE DECIMAL ±.01
 THREE PLACE DECIMAL ±.005

	NAME	DATE
CREATED	VL	2-19-2019
CHECKED	VL	2-19-2019
ENG APPR.		

PROPRIETARY AND CONFIDENTIAL
 THE INFORMATION CONTAINED IN
 THIS DRAWING IS THE SOLE
 PROPERTY OF **GATES**
UNDERWATER PRODUCTS, INC.
 ANY REPRODUCTION IN PART OR
 AS A WHOLE WITHOUT THE
 WRITTEN PERMISSION OF GATES
 UNDERWATER PRODUCTS, INC IS
 PROHIBITED.



ASSEMBLY NAME :
RPT7 EXTERNAL MONITOR

PROJECT: RPT7		REV.
SIZE A	PART NUMBER: 0190-10-501	1
DO NOT SCALE DRAWING		SHEET 1 OF 1