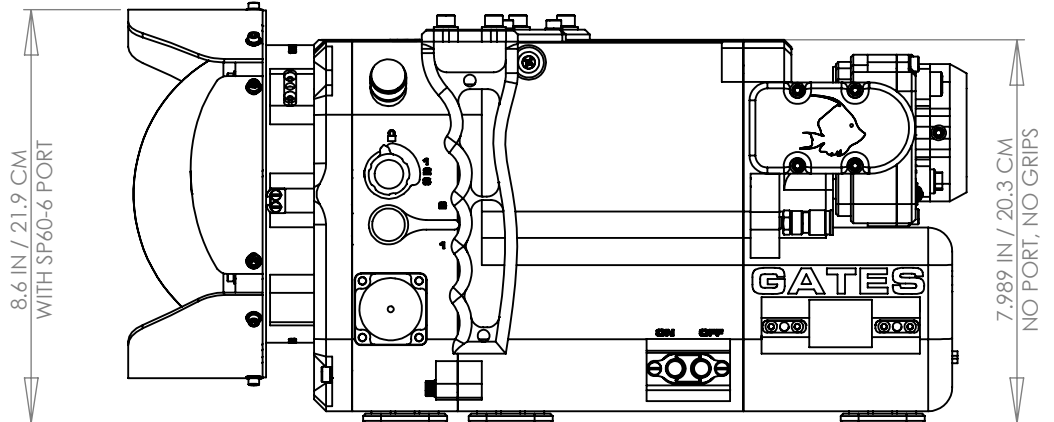
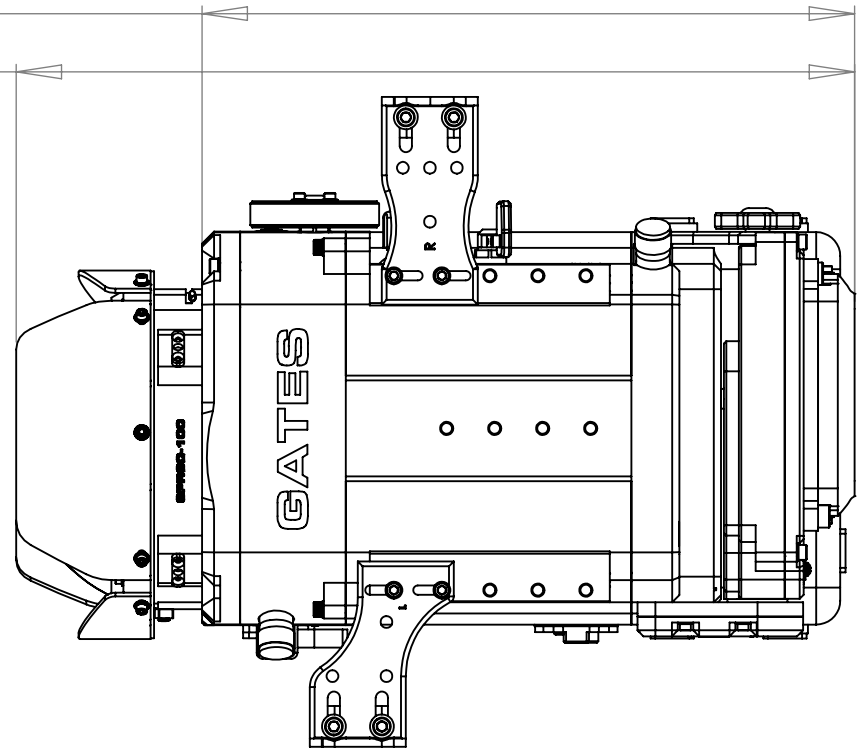
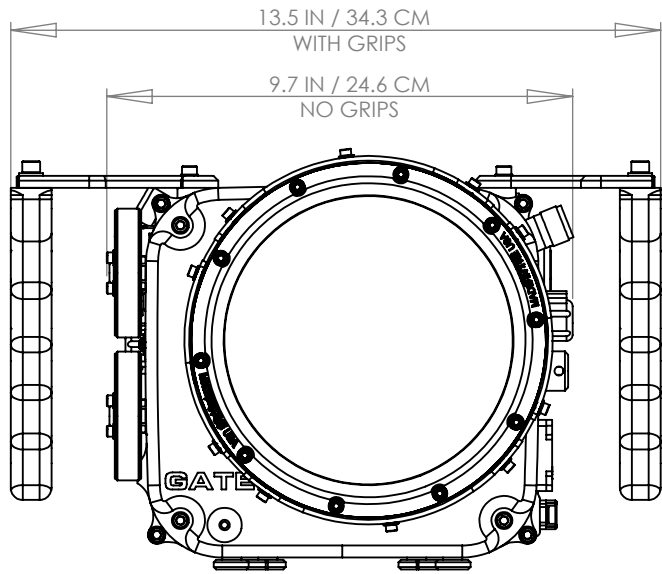


13.6 IN / 34.5 CM
NO PORT NO SPR

17.5 IN / 44.3 CM
WITH SP60-6 PORT + SPR60-100

PRO ACTION SHOWN WITH SP60-6 DOME PORT AND
STACKABLE PORT RING SPR60-100. LENGTH AND HEIGHT WILL
VARY WITH DIFFERENT CONFIGURATIONS AND ACCESSORIES



NAME	DATE
CREATED	
CHECKED	
ENG APPR.	

PROPRIETARY AND CONFIDENTIAL
THE INFORMATION CONTAINED IN
THIS DRAWING IS THE SOLE
PROPERTY OF **GATES**
UNDERWATER PRODUCTS, INC.
ANY REPRODUCTION IN PART OR
AS A WHOLE WITHOUT THE
WRITTEN PERMISSION OF GATES
UNDERWATER PRODUCTS, INC IS
PROHIBITED.

**DIMENSIONS ARE IN INCHES
TOLERANCES:**

FRACTIONAL ±
ANGULAR: MACH ± BEND ±
TWO PLACE DECIMAL ±.01
THREE PLACE DECIMAL ±.005



ASSEMBLY NAME :

PRO ACTION

PROJECT: PRO ACTION

SIZE PART NUMBER:
A OVERALL DIMENSIONS

REV.
1

DO NOT SCALE DRAWING

SHEET 1 OF 1