



Pro Action – Nikonos RS Adapter Kit

Setup, Use, and Care Guide ADDENDUM

Copyright 2017, Gates Underwater Products, Inc.

This manual and current revision is available in 8.5 x 11 size and full color at

<http://www.gateshousings.com/documentation.html>

Gates Underwater Products, Inc.

13685 Stowe Drive
Poway, California 92064 USA

Phone: 800.875.1052 toll-free in the U.S.
858.391.0052 outside the U.S.
Fax: 858.391.0053
Web: GatesHousings.com

Table of Contents

	Setup, Use, and Care Guide ADDENDUM	1
1:	Introduction.....	4
	Warranty Disclaimer	4
	Unpacking the Nikonos RS Kit.....	4
2:	Setup.....	5
	Nikonos RS Mount Adapter	5
	Camera Installation.....	6
	Mate Focus / Iris Gears	7
	Install Port Cover	8
	Camera / Port Cover Alignment	9
	Secure Camera	11
	Lens Mounting	12
	Post Dive Procedures	13
3:	Customer Support	14

1: Introduction

The Nikonos RS Kit allows you to utilize Nikonos RS lenses with Pro Action.

Warranty Disclaimer

The Nikonos RS Kit is an accessory item for Pro Action. It is a tool that, like any tool, requires knowledge and understanding to be effective.

Your responsibility is to learn the proper setup, use and care of the Nikonos RS Kit

We warrant Nikonos RS Kit as an image acquisition tool for a period of 2 years.

Gates does not warrant optical performance or image quality.

If you have any questions about this accessory kit, contact Gates directly. Details are in section 3.

Unpacking the Nikonos RS Kit

The items included in your kit are listed below. If you discover any discrepancies, contact Gates or your dealer immediately for assistance.

Kit Components

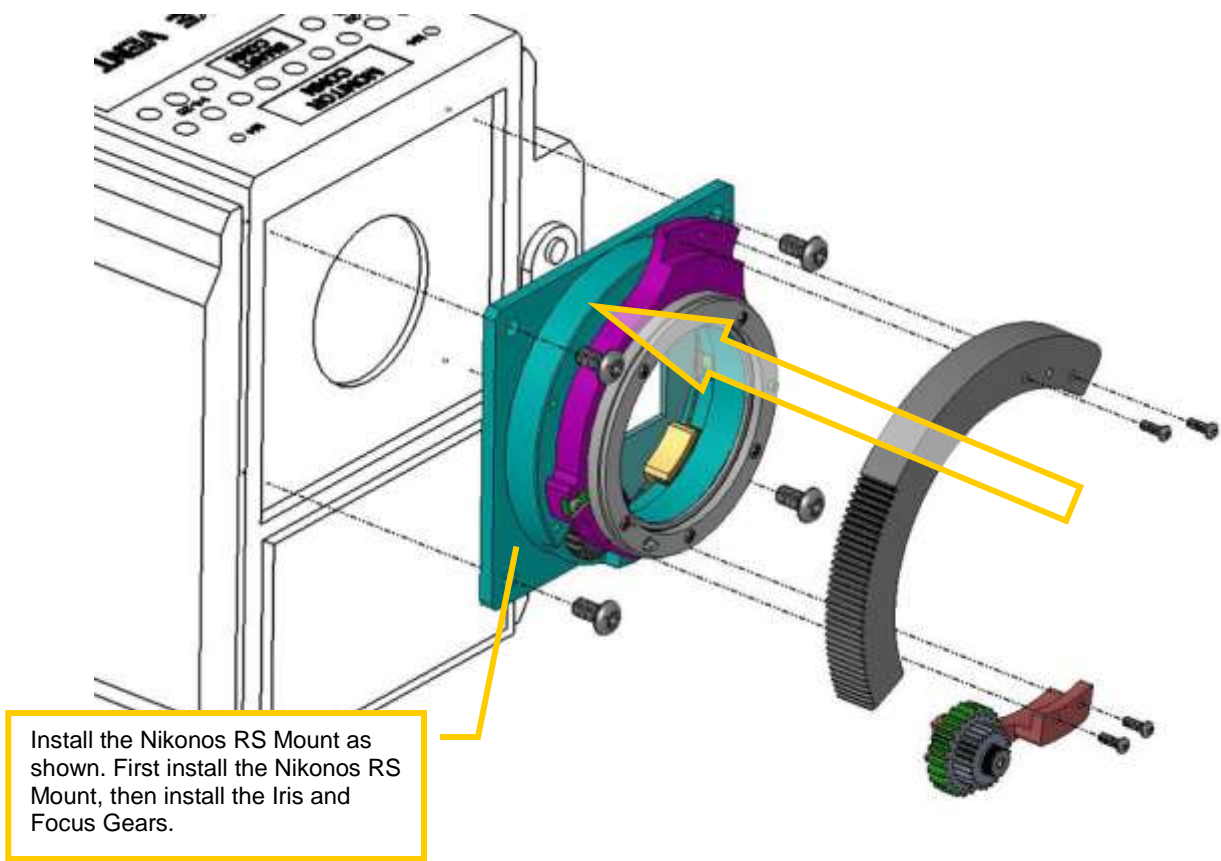
- **Nikonos RS Lens Mount Adapter for RED DSMC and DSMC2 Cameras(1ea)**
- **Nikonos RS Lens Mount screws M4 x 8mmL (4ea)**
- **Lens Mount Adapter body cap (1ea)**
- **Port Base (1ea)**
- **Hex Ball Drive Tool size M1.5 (1ea)**
- **Spare screw kit M2 x 6mmL (8ea)**
- **Spare Bulkhead Cover o-ring (1 ea)**
- **This instruction manual**

2: Setup

These instructions are an addendum to the setup section in the Pro Action Setup, Use and Care Guide. Familiarity with the basic setup of Pro Action is a prerequisite for these instructions.

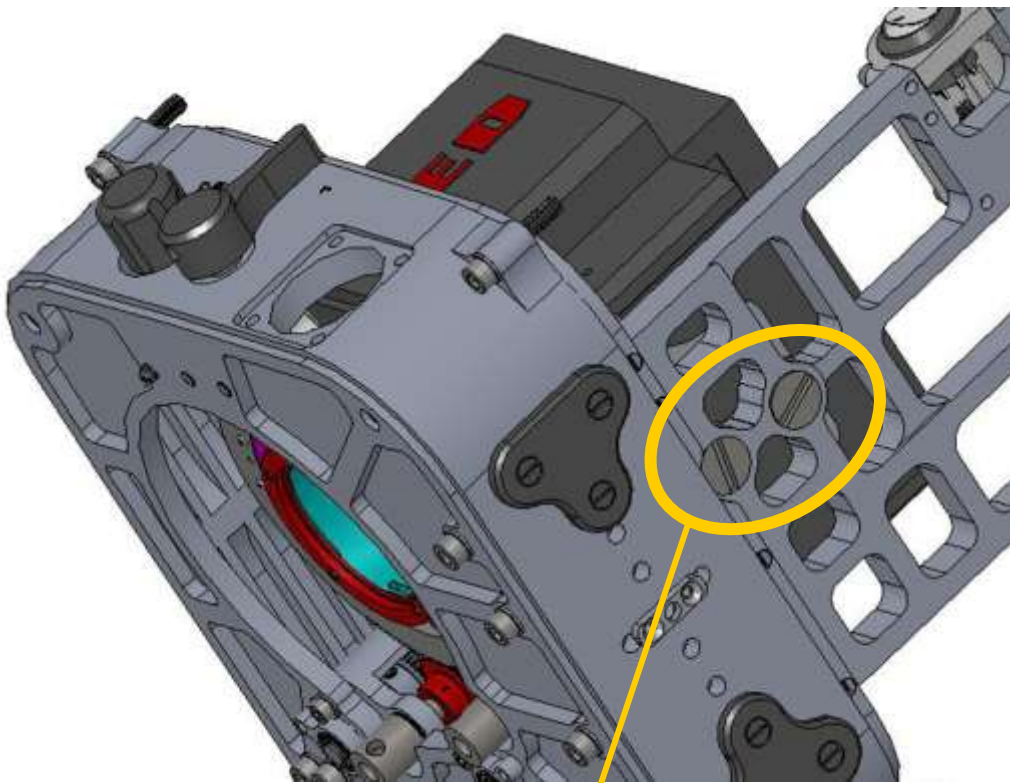
Nikonos RS Mount Adapter

- **First, Remove the Iris Gear and Focus Gears** as shown in the image.
- **Install the Nikonos RS Mount** to the Epic camera.
- **Re-install the Iris Gear and Focus Gears to the Nikonos RS Mount.**



Camera Installation

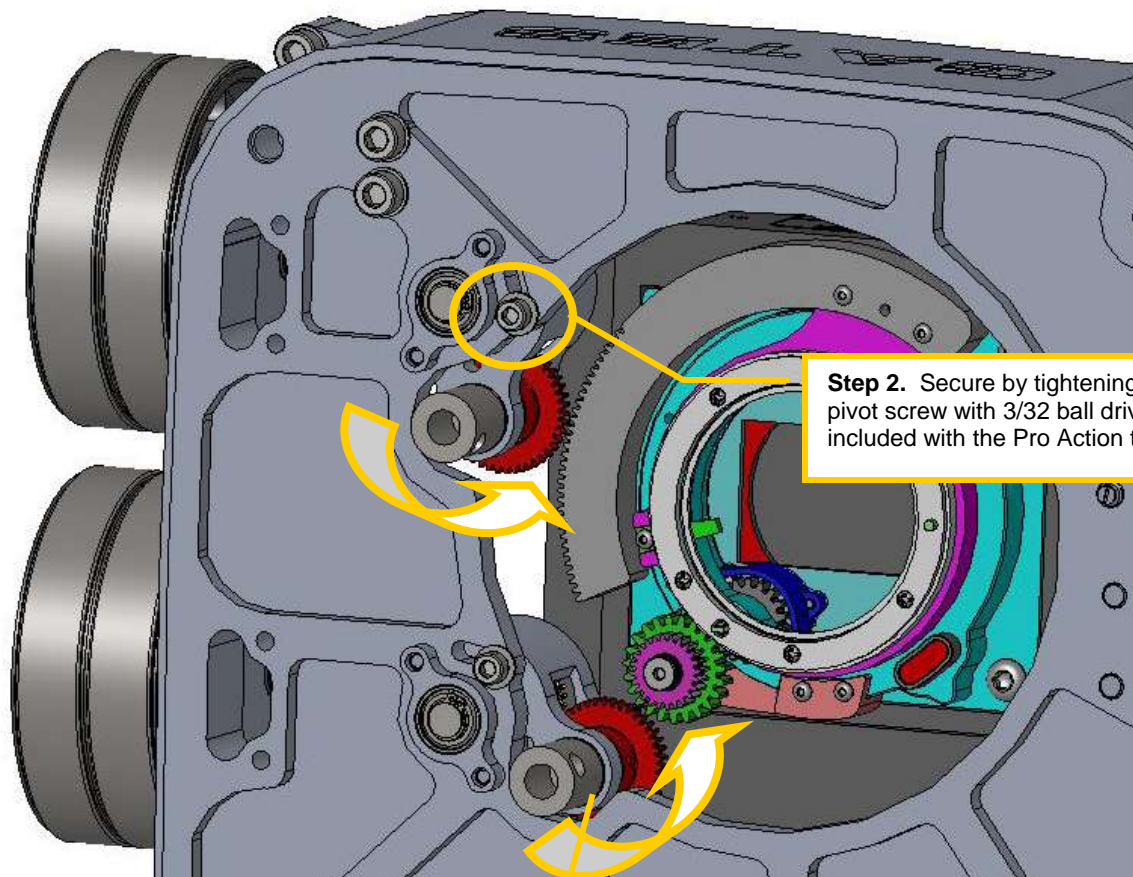
- **Secure the Epic camera into Pro Action.** Tighten each 3/16-18 screw lightly, allowing slight movement of the camera on the mount. This measure will allow fine adjustment to alignment later.
- **Install the camera to Pro Action housing** and make all connections as outlined in the Pro Action SU&C Guide.



Secure the RED Camera to Pro Action with two mounting screws. **Tighten the screws until lightly snug.** The camera should move slightly.

Mate Focus / Iris Gears

- **Mate the focus and iris gears as shown** in the image below. Pivot the housing gears (shown in RED color) to engage the corresponding gears on the Nikonos RS mount.
- **Secure the focus / iris gears** by tightening the screws with the 3/32 ball driver.

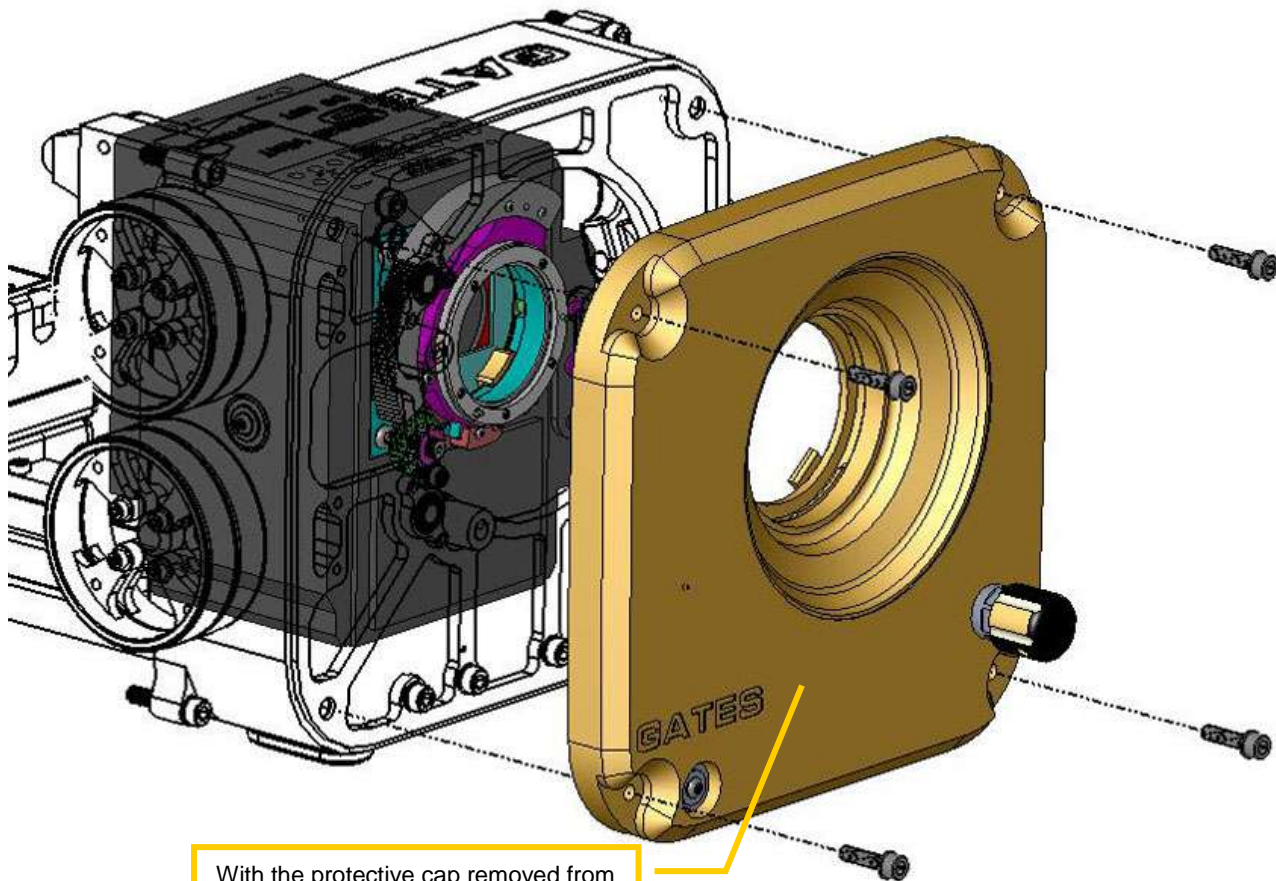


Step 2. Secure by tightening the pivot screw with 3/32 ball driver included with the Pro Action tool kit.

Step 1. Pivot the focus / iris gears to mate with the Nikonos RS mount gears.

Install Port Cover

- Remove the protective body cap from the Nikonos RS mount.
- Carefully Position the Port Cover onto Pro Action as shown. Mate the Port Cover with the Nikonos RS mount.
- Once mated, secure the four corner screws securely.

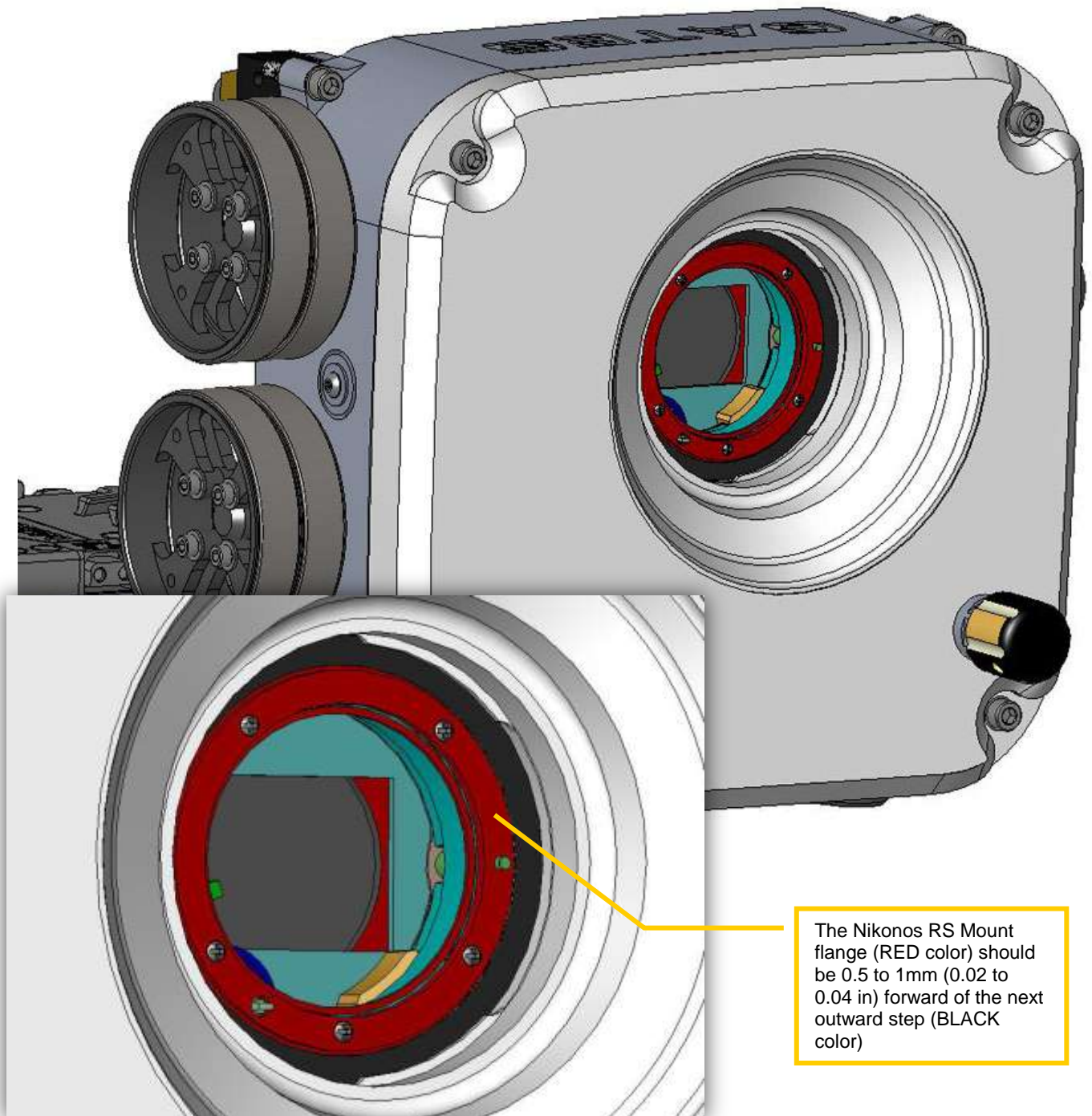


With the protective cap removed from the Nikonos RS Mount, Port Cover mates as shown. Ensure the Port Cover mates with the Nikonos RS mount. Tighten the four corner screws securely.

Camera / Port Cover Alignment

- **Visually Check the Nikonos RS Mount and Port Cover mate.** The Nikonos RS Mount flange (the innermost ring shown in **RED** color) – should be ~ 0.5 to 1mm (0.02 to 0.04 in) forward of the next step on the Bulkhead Cover (shown in **BLACK** color). It should also be an even step around the perimeter.

If you see more then 0.5 to 1mm difference or uneven step, stop and loosen the four corner screws of the Port Cover and adjust the position until the Nikonos RS Mount Flange is even around the perimeter with the Port Cover.

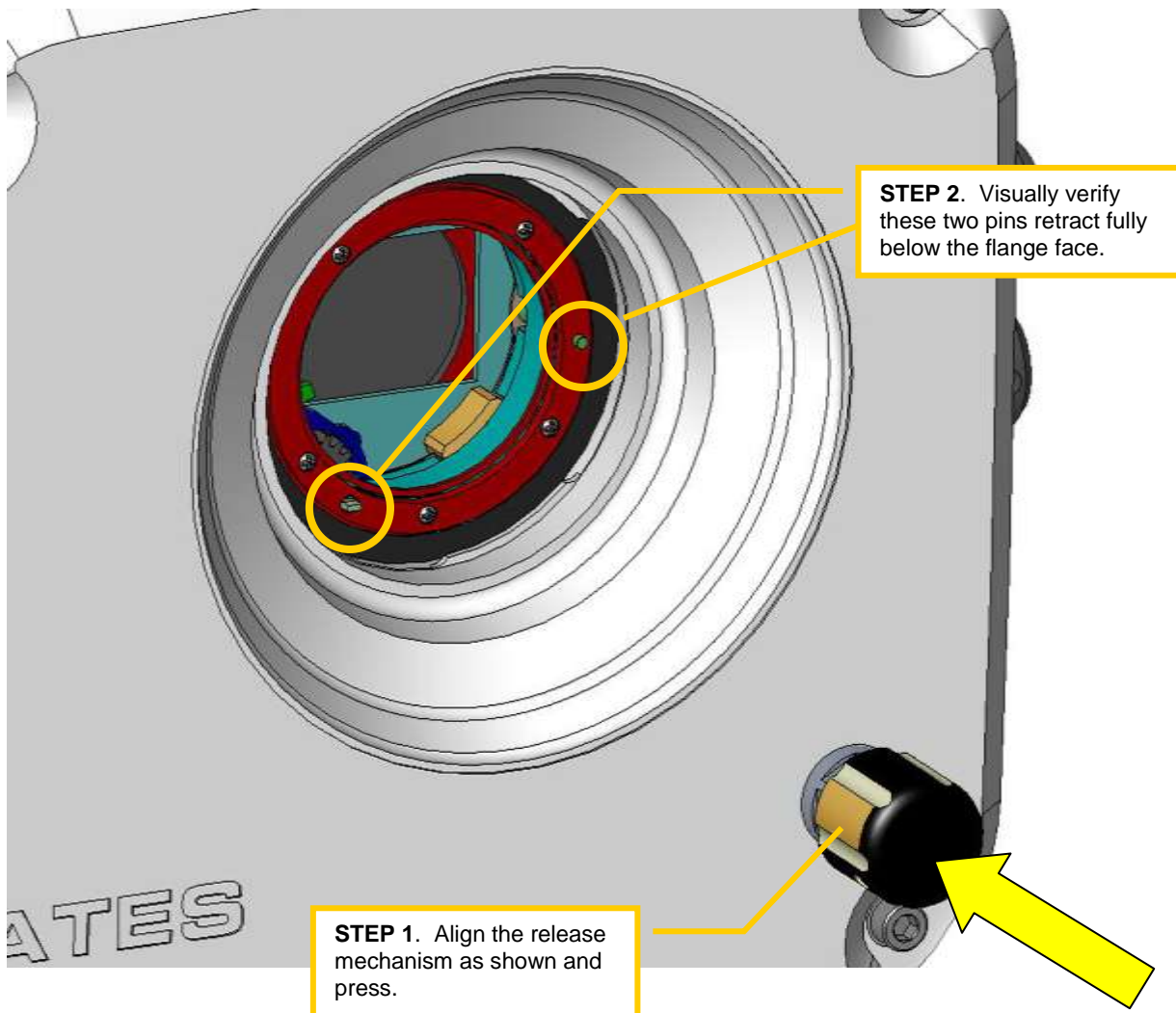


- **Test the Lens Release Mechanism.** Move the release button to the position shown and press.

You should see two pins on the Nikonos RS Mount flange retract. BE SURE the pins retract below the level of the flange. This is required for full disengagement of the lens.

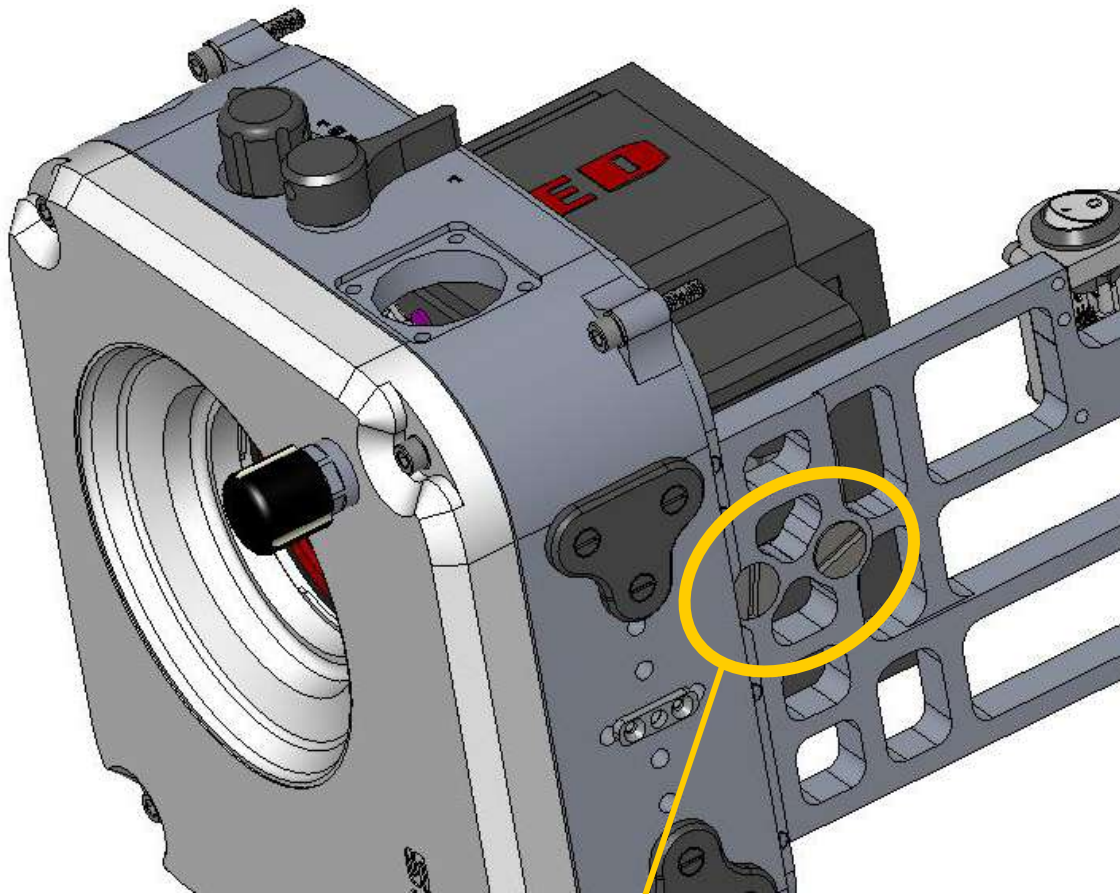
CAUTION: FAILURE TO CHECK THE RELEASE MECHANISM FOR PROPER OPERATION CAN RESULT IN A LENS THAT WILL NOT UNMOUNT FROM THE HOUSING.

- **Verify again that the release mechanism is working reliably.**
- **Park the Release Control** in the position shown when not in use.



Secure Camera

- **After verifying alignment and operation**, now go back and tighten the camera securely to the housing



Firmly tighten the mount screws to secure the RED Camera to Pro Action.

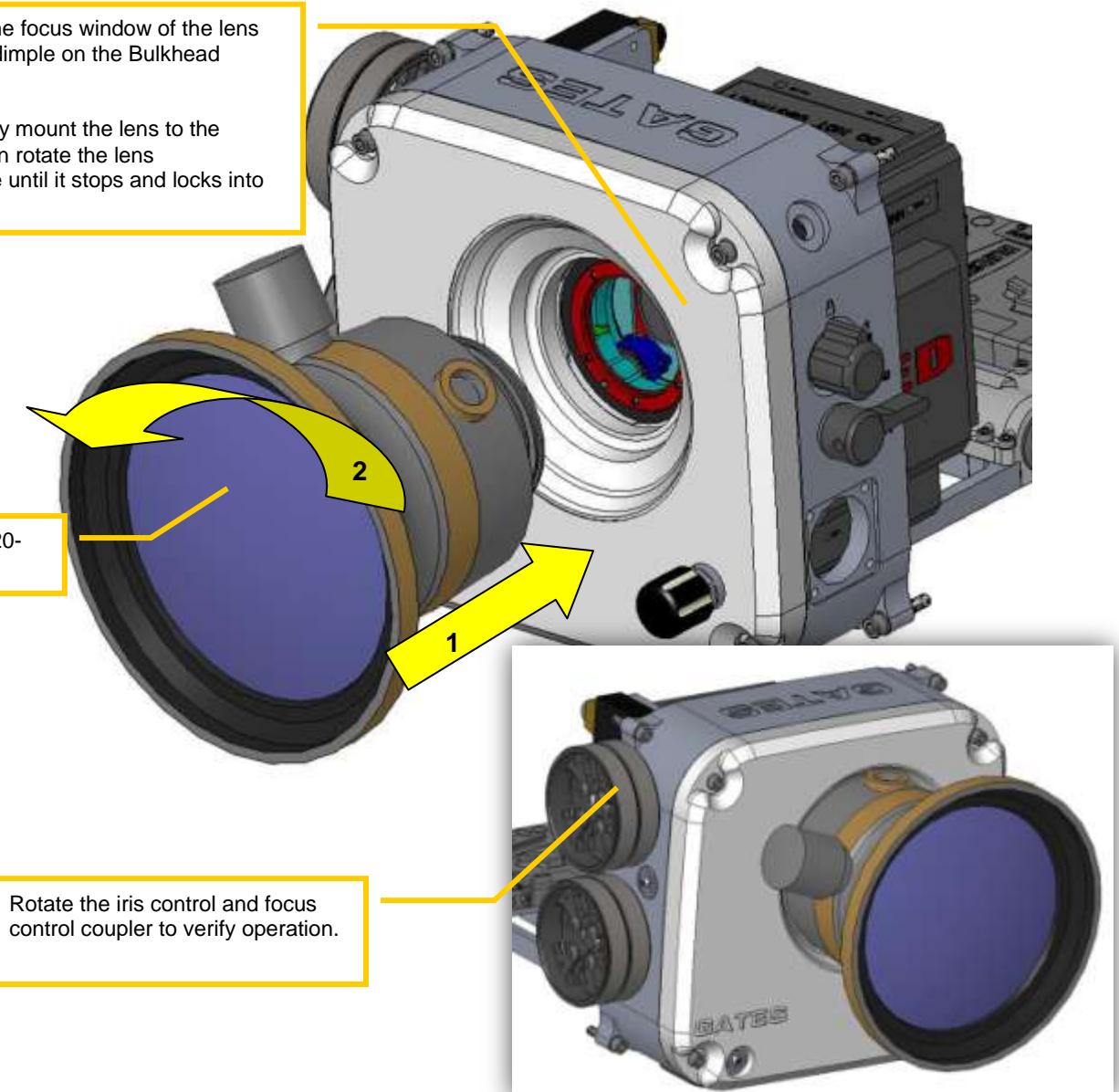
Lens Mounting

- **Lubricate the Nikonos RS Lens O-Ring.** This o-ring is ORANGE, so **DO NOT** use silicone lubricant. Instead, use either a) Nikonos o-ring lubricant, if available, or a non-silicone lubricant such as Super Lube.
- **Bayonet mount a lens.** Shown in the photo is the Nikonos RS 13mm lens. Look closely at the lens base to ensure an orange silicone o-ring is present.
- **Verify Focus and Iris Operation.** Rotate the Iris knob and verify the iris inside the lens fully opens and closes. Similarly, rotate the focus control coupler (see image) and view proper operation in the lens window of the lens.

STEP 1. Align the focus window of the lens with the marker dimple on the Bulkhead Cover.

STEP 2. Carefully mount the lens to the housing, and then rotate the lens counterclockwise until it stops and locks into position.

Nikonos RS 20-35mm Lens



- **Continue housing setup.** From this point the remaining setup of Pro Action is found in the Pro Action Setup, Use and Care Guide.

Post Dive Procedures.

- **Blow off excess water.** Using compressed air and / or a dry cloth, clean water away from the mate between Nikonos RS lens and Bulkhead Cover.
- **Release vacuum.** Before removing a Nikonos RS lens, ***the vacuum must be fully released.***

CAUTION: FAILURE TO FULLY RELEASE HOUSING VACUUM MAY RESULT IN WATER BEING DRAWN INTO THE EPIC CAMERA SENSOR AREA.

- **Release the lens.** As noted on page 15, the lens can be removed by aligning the Release Control knob to the position pointing directly at the lens, and then press.

While holding, rotate the lens clockwise ~30 degrees until it comes free of the housing.

- **Dissassembly.** Follow the procedures in this manual in reverse to break down the Nikonos RS kit.

3: Customer Support

Should you have any questions about this Nikonos RS Adapter Kit, please contact Gates at the numbers below.

Email: Customer.srvc@GatesHousings.com

Web: www.GatesHousings.com

Phone: 858.391.0052

Fax: 858.391.0053