



DEEP WEAPON Upgrade

Setup, Use, and Care Guide ADDENDUM

For using with RED DSMC² Cameras

Copyright 2016, Gates Underwater Products, Inc.

Last document revision: 8 Feb 2016

This manual and current revision is available in 8.5 x 11 size and full color at

<http://www.gateshousings.com/documentation.html>

Gates Underwater Products, Inc.

13685 Stowe Drive
Poway, California 92064 USA

Phone: 858.391.0052 outside the U.S.
Fax: 858.391.0053
Web: GatesHousings.com

Table of Contents

	Setup, Use, and Care Guide ADDENDUM	1
1:	Introduction.....	4
	Warranty Disclaimer	4
	RED Items Required.....	4
	Unpacking the DEEP WEAPON Upgrade Kit.....	5
2:	Setup.....	6
	DSMC ² Camera Setup.....	6
	WEAPON REDMOTE Link	7
3:	Converting back to DSMC	8
	Assignable Control Head	8
	Power Control Snap Spacer	9
4:	Customer Support	10

1: Introduction

The DEEP WEAPON Upgrade allows the use of the RED DSMC² WEAPON, SCARLET-W and RAVEN in addition to the DSMC EPIC and SCARLET with the DEEP DRAGON housing.

Warranty Disclaimer

It is your responsibility to learn the proper setup, use and care of the DEEP WEAPON Upgrade.

We warrant the parts provided with the DEEP WEAPON Upgrade for a period of 2 years.

If you have any questions about this accessory kit, contact Gates directly. Details are in section 4.

RED Items Required

The following user supplied items are required to operate DSMC² cameras in your upgraded housing.

- **DSMC² Camera. WEAPON, SCARLET-W or RAVEN.**
- **DSMC² Expansion Module.**
 - **DSMC² Base Expander. RED Part Number: 720-0033**
 - **DSMC² Jetpack Expander. RED Part Number: 720-0039**
 - **DSMC² Jetpack SDI Expander. RED Part Number: 720-0048**
 - **DSMC² V-Lock IO Expander. RED Part Number 720-0045**

NOTE: -- While the Jetpack Expander, Jetpack SDI Expander and V-Lock IO Expander physically fit into DEEP WEAPON, the record trigger circuit is different from the Base Expander Module, and incompatible with DEEP WEAPON

Unpacking the DEEP WEAPON Upgrade Kit

The items included in your kit are listed below. If you discover any discrepancies, contact Gates or your dealer immediately for assistance.

Kit Components

- **WEAPON LCD Adapter & Cable**
- **T20 Torx & 3/32 Allen tools**
- **Audio Extension Cable**
- **DSMC Assign Control Head**
- **WEAPON REDMOTE Link & Link Cable**

2: Setup

The instructions that follow are **exceptions** to the those found in the DEEP DRAGON SU&C Guide.

DSMC² Camera Setup

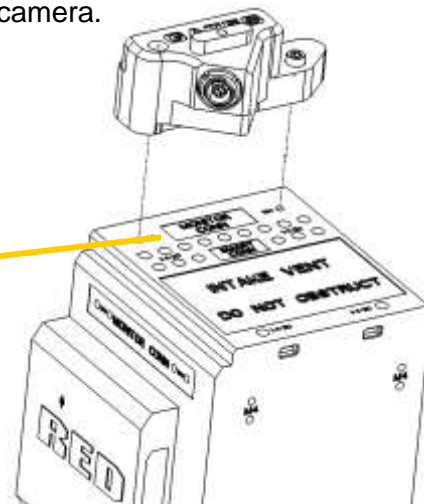
After stripping down the camera (per DEEP DRAGON SU&C Guide):

- **Change camera settings** to enable tethered communication to the REDMOTE. Go to Menu=>Settings=>Setup=>Communication and set Serial Protocol to REDLINK Command Protocol. This step is in addition to the settings provided in the DEEP DRAGON SU&C Guide.



- **Install the Audio Extension Cable (optional).** This extension will allow you to plug DEEP DRAGON audio cables into the DSMC² camera.
- **Attach the LCD adapter.**

Attach the WEAPON LCD Adapter and secure with T20 Torx wrench.



WEAPON REDMOTE Link

The WEAPON REDMOTE Link allows the camera to communicate directly with the REDMOTE via a wired connection.

- **Attach the WEAPON REDMOTE Link** to the back of the REDMOTE.



- Connect the supplied **Link Cable** to the CTRL connector and the V-Loc plate's D-Tap output.



- **Before attaching the housing Rear Shell**, Connect the Link Cable to the WEAPON REDMOTE Link module.

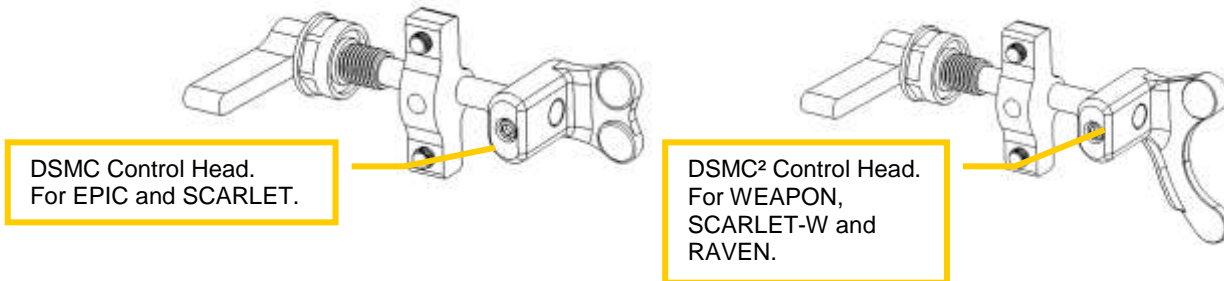


3: Converting back to DSMC

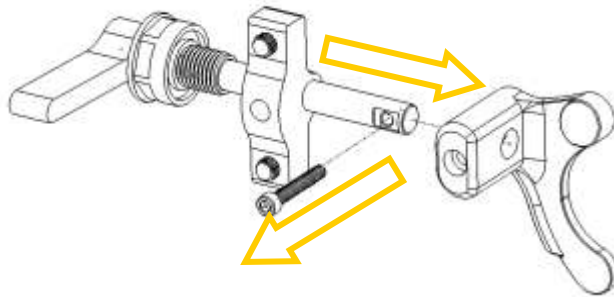
The DEEP WEAPON Upgrade can be modified to work with DSMC cameras by removing the Power Control Snap Spacer and switching out the Assignable Control Head.

Assignable Control Head

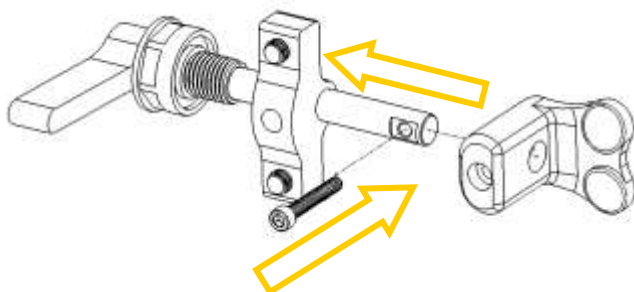
The WEAPON UPGRADE Kit comes with two different Assignable Control Heads in order to work with both DSMC or DSMC² cameras.



- **Remove 4-40 screw** with supplied 3/32" Allen wrench.
- **Slide** the Assignable control head off shaft.

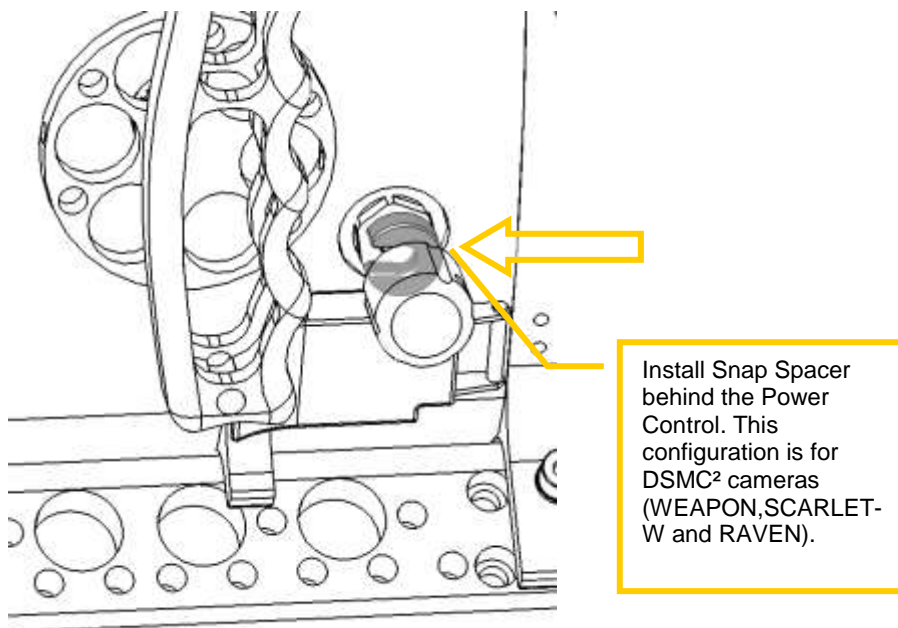
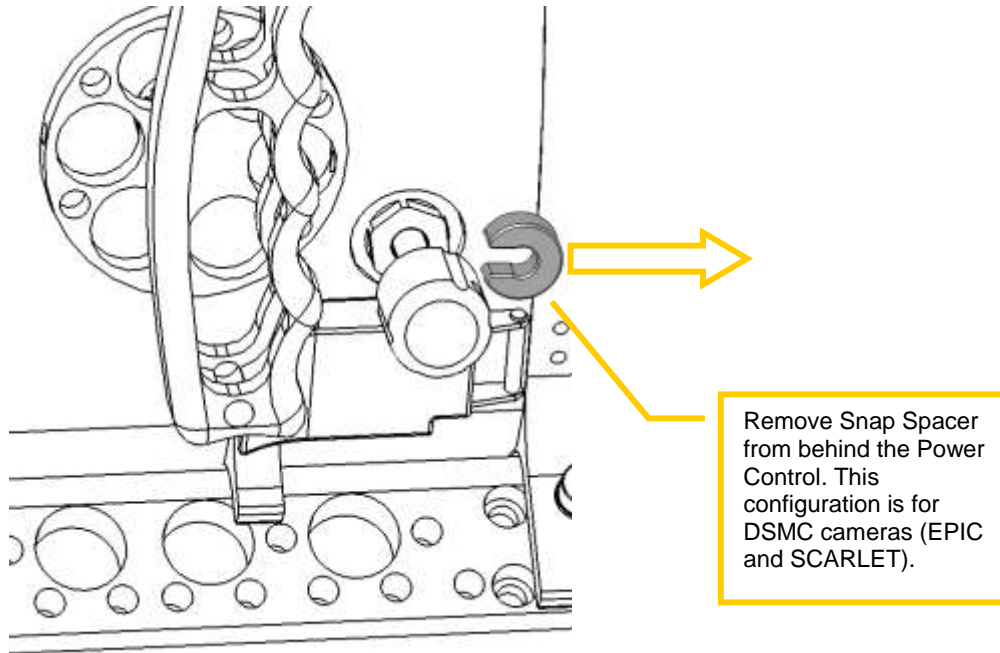


- **Replace WEAPON Control Head** with the correct version to support your camera.
- **Reinstall 4-40 screw.** Be careful not to over tighten.



Power Control Snap Spacer

Your WEAPON Upgraded housing comes with a Power Control Snap Spacer installed. This spacer is provided to allow the power control to operate properly with DSMC² cameras. The spacer must be removed in order for the power control to reach a DSMC camera's power button.



4: Customer Support

Should you have any questions about the DEEP WEAPON Upgrade, please contact Gates at the numbers below.

Email: Customer.srv@GatesHousings.com

Web: www.GatesHousings.com

Phone: 858.391.0052

Fax: 858.391.0053