

TVL55 External Monitor Housing

Setup, Use, and Care Guide

Copyright 2014, Gates Underwater Products, Inc.

Last document revision: 7-1-2014

Photos © Gates Underwater Products

This manual and current revision is available in 8.5 x 11 size and full color at

<http://www.gateshousings.com/documentation.html>

Gates Underwater Products, Inc.

13685 Stowe Drive
Poway, California 92064 USA

Phone: 800.875.1052 toll-free in the U.S.
858.391.0052 outside the U.S.
Fax: 858.391.0053
Web: GatesHousings.com

Table of Contents

	Setup, Use, and Care Guide.....	1
	Introducing the TVL55 External Monitor Housing	4
	Features.....	4
	Warranty Disclaimer	4
	Required Components	4
	Unpacking the TVL55	5
1:	Cautions.....	6
2:	TVL55 Setup.....	7
	Monitor Preparation	7
	Installing the Monitor into the Housing.....	7
	Monitor Mount / Video Connections.....	9
	TVL55 Controls.....	11
3:	TVL55 Maintenance.....	12
	Housing Care and Maintenance	12
	O-Ring Care and Maintenance	12
4:	Customer Support.....	13

Introducing the TVL55 External Monitor Housing

Congratulations on owning a new Gates product: the TVL55 External Monitor Underwater Housing for the TVLogic VFM-058W. You've selected an underwater imaging tool that will provide years of value and reliable service.

Please read through this entire guide to learn about the TVL55 so you can get the most out of this imaging tool. In this section, we'll introduce you to the features of the TVL55 so you can get started.

Features

The TVL55 has several key features:

- **'Bulletproof' construction.** Gates legendary reliability is inherent in the TVL55 housing: machined aluminum shell, stainless hardware and reliable mechanical controls.
- **Designed** specifically for the TV Logic VFM-058W field monitor with access to full menu and assignable controls.

Warranty Disclaimer

The TVL55 External Monitor Housing is a tool that, like any tool, requires knowledge and understanding to be effective.

Your responsibility is to learn the proper setup, use and care of the TVL55. Because we can only provide you with the information necessary to do so, Gates does not warrant the contents of your housing (e.g. electronics) under any circumstance.

We warrant the TVL55 as an image acquisition tool for a period of 2 years.

If you have any questions about the setup, use and care of the TVL55, contact Gates directly. Details are in section 4.

Required Components

The TVL55 External Monitor Housing requires the following components:

- **TVLogic VFM-058W monitor.**
- **TVLogic BB-058E Battery Bracket.**
- **2 x Canon LP-E6 batteries.**

Unpacking the TVL55

After you remove the TVL55 from its shipping container, carefully inspect it for missing parts or damage that may have occurred during shipment. If you discover any discrepancies, contact Gates or your dealer immediately for assistance.

Standard Parts

- **TVL55 External Monitor Housing.**
- **Spare O-Ring Kit.**
- **O-Ring Removal Tool.**

Optional Parts

- **Shade Extension(s)**

1: Cautions

- ▶ **USER RESPONSIBILITY.** This Setup, Use and Care guide contains important detailed procedures for setup and use of the TVL55 External Monitor Housing. It is the user's responsibility to read, understand and employ these procedures. Failure to do so can result in poor or non-operation of the TVL55 and may void your warranty.

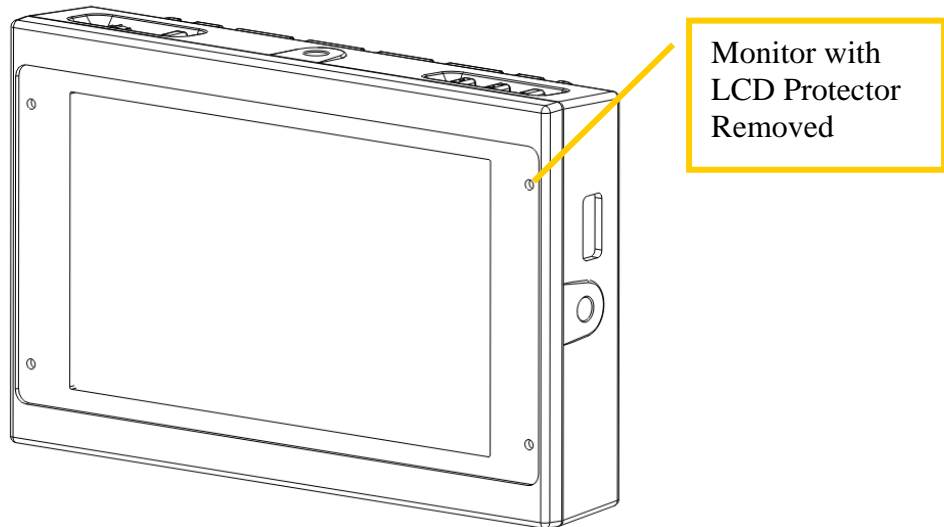
Contact Gates if you have questions regarding this manual or using the TVL55.

2: TVL55 Setup

The TVL55 requires complete and thorough setup prior to use.

Monitor Preparation

- **Remove** the LCD screen protector if installed. The TVLogic screen protector must be removed from the front of the monitor for it to rest properly in the housing.
- **Install** the TVLogic BB-058E Battery Bracket to the back of the monitor. The BB-058E Battery Bracket is necessary to use the monitor with Canon LP-E6 batteries.
- **Add** the two fully charged LP-E6 batteries.

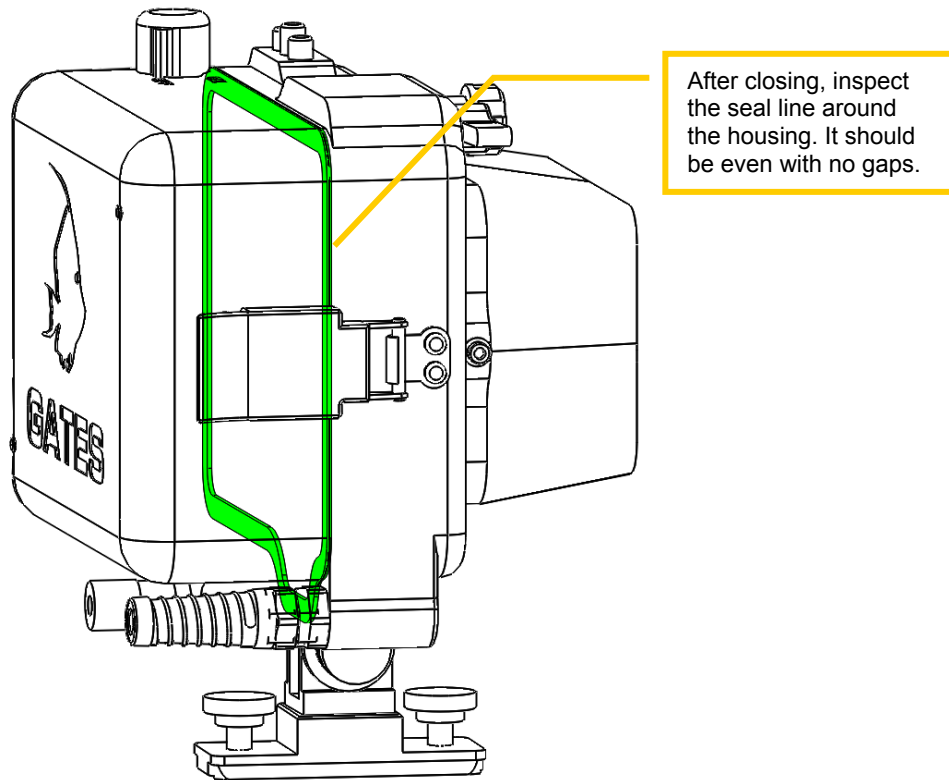


Installing the Monitor into the Housing

- **Plug the BNC** connector into the monitor HDSDI in as shown in the following page.
- **Carefully Place** the monitor into the housing. Make sure the monitor is properly seated in the housing.
- **Close the housing.**

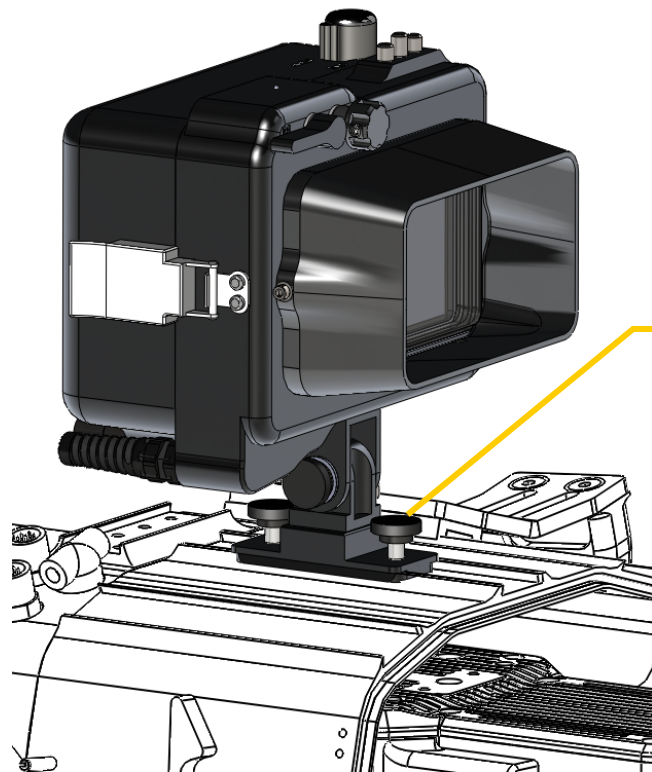
- ❑ **Secure the latches.** Close opposing latches at the same time.
- ❑ **Check seal line.** Ensure that the seal line around the perimeter has no gaps as shown on the next page.



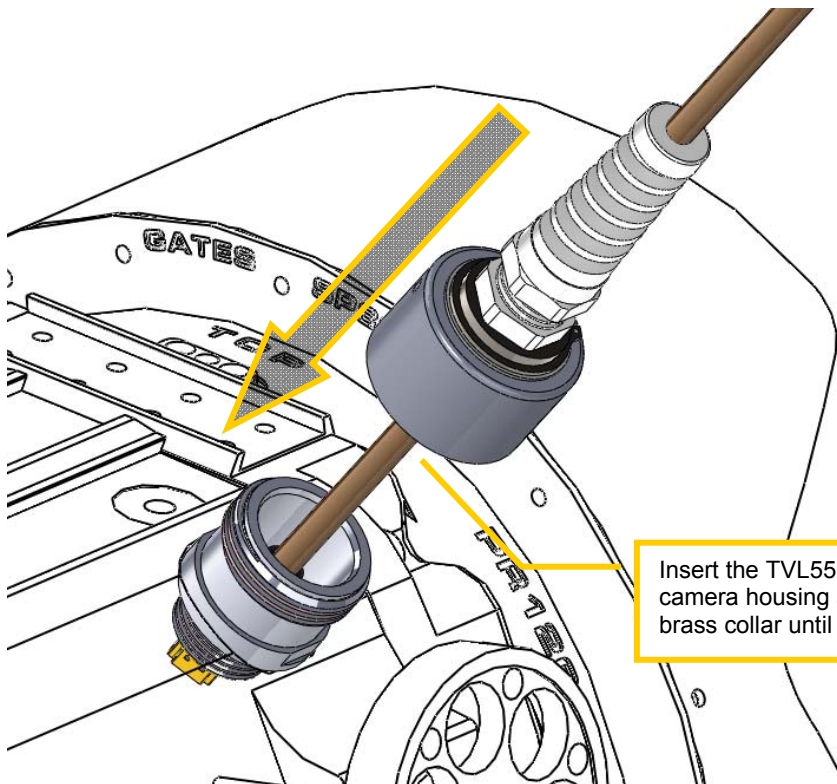


Monitor Mount / Video Connections

- ❑ **Mount the TVLogic monitor.** Secure the monitor to the top of the housing shell. Tighten the thumbscrews to secure as shown on the next page.
- ❑ **Insert the Monitor Cable into the housing.** The TVL55 monitor cable is a 'pass through' type that inserts into the bulkhead opening on the housing.
- ❑ **Tighten the brass collar** until snug.
- ❑ **Connect to the camera's HDSDI output.**



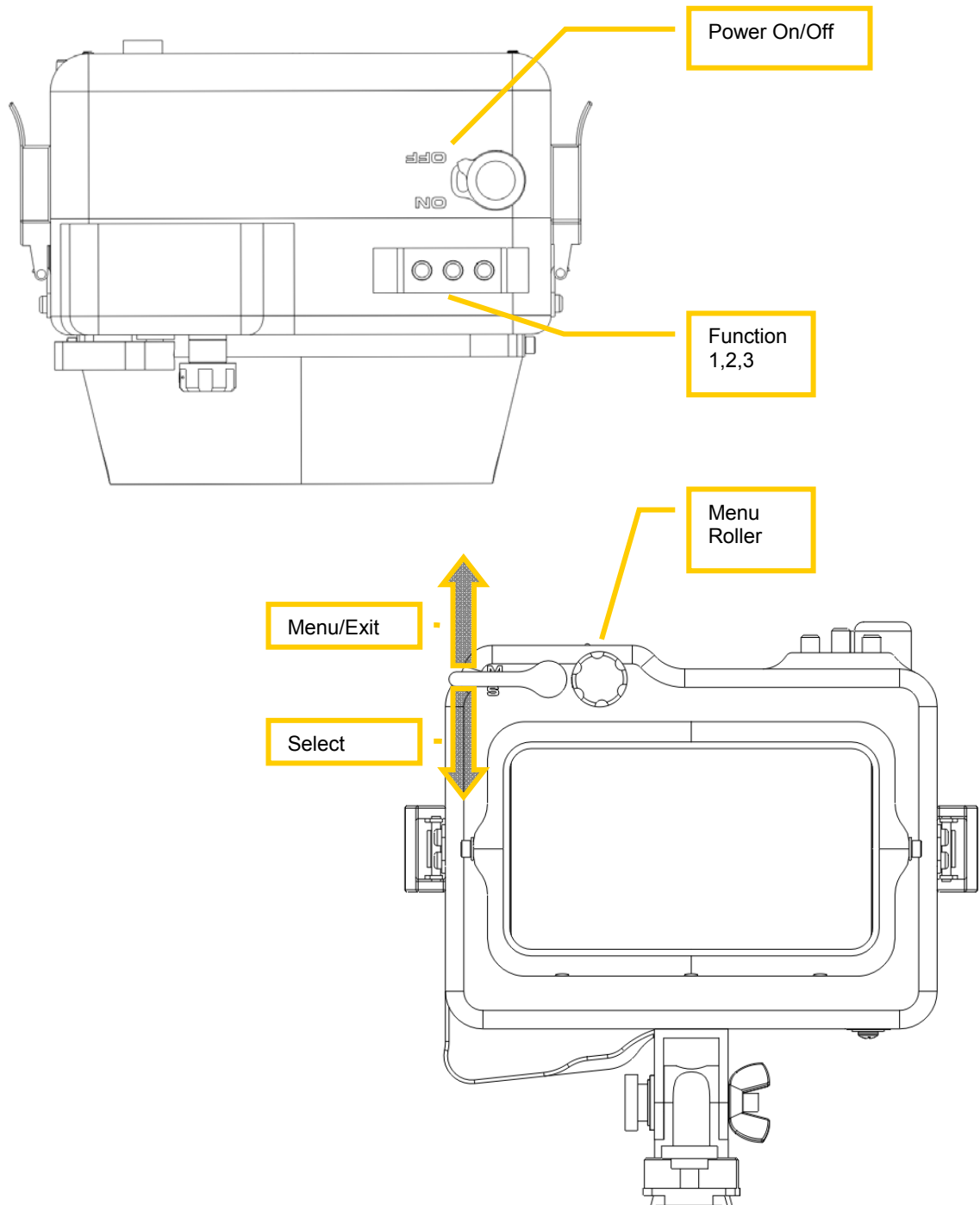
Slide the TVL55 onto the housing dovetail and tighten with thumbscrews.



Insert the TVL55 Monitor Cable into the camera housing as shown. Tighten the brass collar until snug.

TVL55 Controls

- **Controls.** See the image below for the functions assigned to each Pushbutton control.



3: TVL55 Maintenance

Housing Care and Maintenance

Proper care of your Gates housing is important to provide you reliable operation and long life. You'll find all the guidelines in the "Housing Care and Maintenance" document included with your Gates housing. You can also find it on Gates web site at www.GatesHousings.com.

O-Ring Care and Maintenance

Your Gates TVL55 Underwater Housing has 1 serviceable o-ring. It is located on the main housing where the Battery Cover mates. Its color is orange.

Servicing the o-rings is easy and covered in the "Housing Care and Maintenance" document in this package. It can also be found on the Gates website at www.gateshousings.com.

- ▶ **CAUTION:** Do not lubricate the large orange o-ring! It is a special silicone o-ring and can be damaged by petroleum-based lubricants.

- ▶ **CAUTION:** Never use metal tools or objects for removing o-rings!

4: Customer Support

Should you have any questions about the TVL55 and its operation, please contact Gates at the numbers below.

Email: Customer.srvc@GatesHousings.com

Web: www.GatesHousings.com

Phone: 858.391.0052

Fax: 858.391.0053