

# Starlite HD5 Monitor Housing

*Setup, Use, and Care Guide*

Copyright 2015, Gates Underwater Products, Inc.

Last document revision: 11-23-2015

Photos © Gates Underwater Products

This manual and current revision is available in 8.5 x 11 size and full color at

<http://www.gateshousings.com/documentation.html>

***Gates Underwater Products, Inc.***

13685 Stowe Drive  
Poway, California 92064 USA

Phone: 858.391.0052  
Fax: 858.391.0053  
Web: GatesHousings.com

## Table of Contents

---

	Setup, Use, and Care Guide.....	1
	Introducing the Starlite HD5 Monitor Housing .....	4
	Features.....	4
	Warranty Disclaimer .....	4
	Unpacking the Starlite HD5 Monitor Housing .....	5
	Differences between Starlite HD5 and Starlite HD5 Arri....	5
1:	Cautions.....	6
2:	Starlite HD5 Monitor Housing Setup.....	7
	Monitor Preparation .....	7
	Installing the Monitor into the Housing.....	7
	Monitor Mount / Video and Power Connections .....	9
	Starlite HD5 Controls .....	10
3:	Starlite HD5 Monitor Housing Maintenance.....	11
	Housing Care and Maintenance .....	11
	O-Ring Care and Maintenance .....	11
4:	Customer Support.....	12

## ***Introducing the Starlite HD5 Monitor Housing***

Congratulations on owning a new Gates product: the Starlite HD5 Monitor Housing for the Starlite HD5 and Starlite HD5 Arri monitor. You've selected an underwater imaging tool that will provide years of value and reliable service.

Please read through this entire guide to learn about the monitor housing so you can get the most out of this imaging tool. In this section, we'll introduce you to the features of the monitor housing so you can get started.

### ***Features***

The Starlite HD5 Monitor Housing has several key features:

- **'Bulletproof' construction.** Gates legendary reliability is inherent in the Starlite HD5 Monitor Housing: machined aluminum shell, stainless hardware and reliable mechanical controls.
- **Designed** specifically for the Transvideo Starlite HD5 and Starlite HD5 Arri monitors.

### ***Warranty Disclaimer***

The Starlite HD5 Monitor Housing is a tool that, like any tool, requires knowledge and understanding to be effective.

Your responsibility is to learn the proper setup, use and care of the monitor housing. Because we can only provide you with the information necessary to do so, Gates does not warrant the contents of your housing (e.g. electronics) under any circumstance.

We warrant the Starlite HD5 Monitor Housing as an image acquisition tool for a period of 2 years.

If you have any questions about the setup, use and care of the Starlite HD5 Monitor Housing, contact Gates directly. Details are in section 4.

## Unpacking the Starlite HD5 Monitor Housing

After you remove the monitor housing from its shipping container, carefully inspect it for missing parts or damage that may have occurred during shipment. If you discover any discrepancies, contact Gates or your dealer immediately for assistance.

### Standard Parts

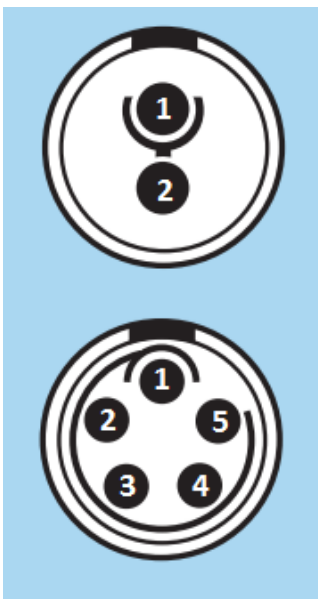
- **Starlite HD5 Monitor Housing.**
- **Starlite Power Adapter Cable.**
- **Spare Kit.**
- **O-Ring Removal Tool.**
- **Shade Extension**

### Optional Parts

- **Shade Extension(s)** *(Additional Shade Extensions are stackable and available for purchase.)*

## Differences between Starlite HD5 and Starlite HD5 Arri

The Starlite HD5 and Starlite HD5 Arri have different power connectors. Consult with your Gates representative before purchasing to have the housing's cable configured for your monitor.



View is from rear face of connector.

### Arri Starlite HD5

Connector: Lemo FGG.0B.302.CLAD42

Pin	
1	GND
2	VCC

### Arri Starlite HD5 Arri

Connector: Lemo FGG.0B.305.CLAD42

Pin	
1	GND
2	VCC
3	NA
4	NA
5	NA

# 1: Cautions

---

- ▶ **USER RESPONSIBILITY.** This Setup, Use and Care guide contains important detailed procedures for setup and use of the Starlite HD5 Monitor Housing. It is the user's responsibility to read, understand and employ these procedures. Failure to do so can result in poor or non-operation of the monitor housing and may void your warranty.

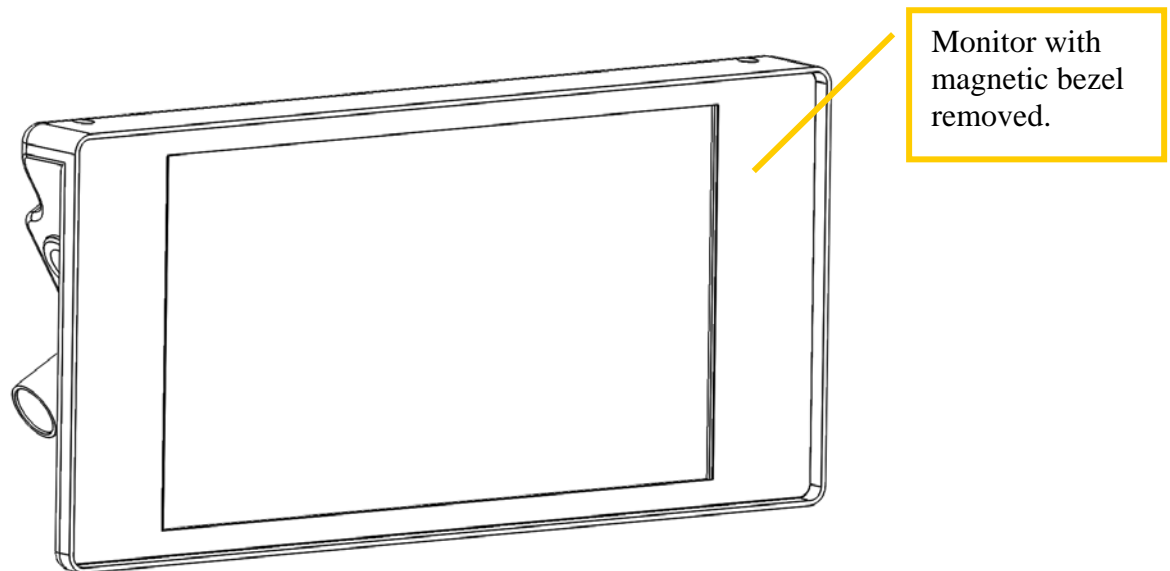
Contact Gates if you have questions regarding this manual or using the Starlite HD5 Monitor Housing.

## 2: Starlite HD5 Monitor Housing Setup

The Starlite HD5 Monitor Housing requires complete and thorough setup prior to use.

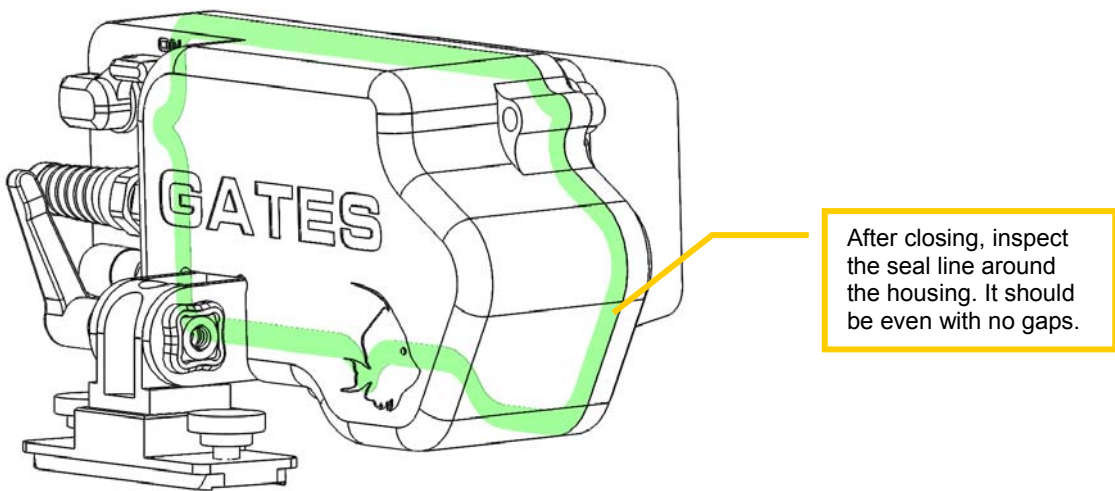
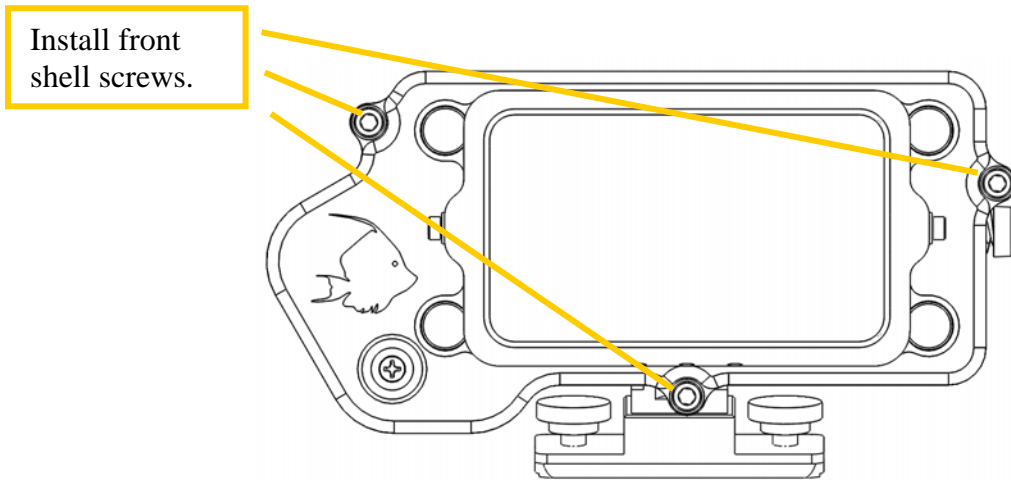
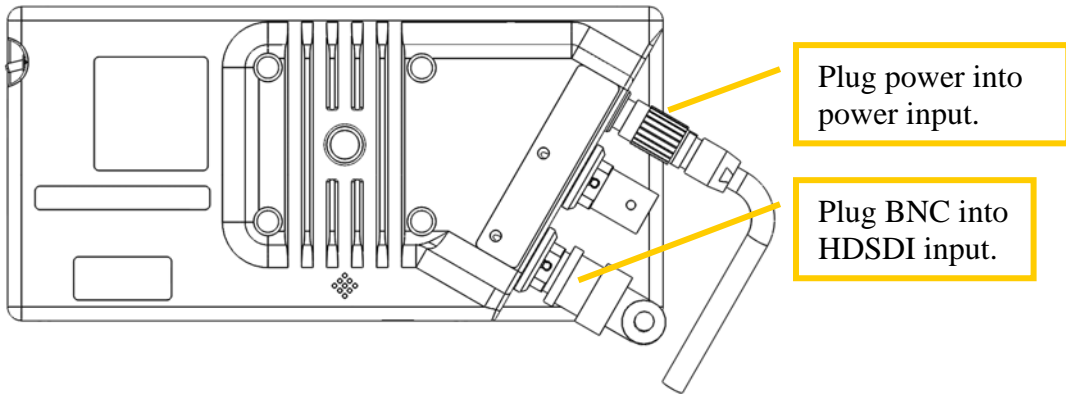
### *Monitor Preparation*

- ❑ **Setup Smart Corners.** Consult your Arri user guide to setup your preference in Smart Corners.
- ❑ **Remove** the magnetic screen bezel if installed. The Starlite screen bezel must be removed from the front of the monitor for it to fit into the housing.



### *Installing the Monitor into the Housing*

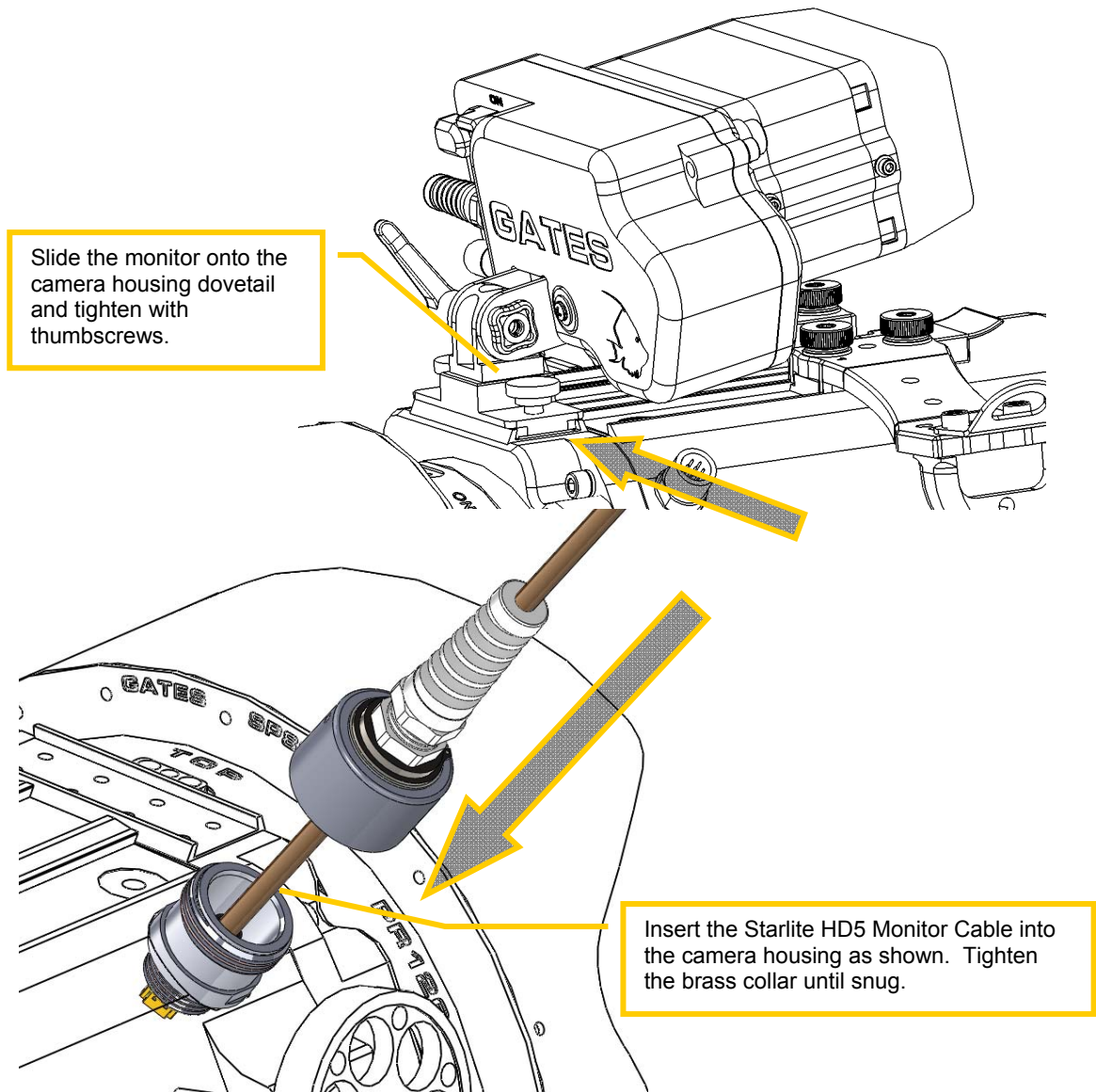
- ❑ **Plug the BNC and power** connector into the monitor as shown in the following page.
- ❑ **Carefully Place** the monitor into the housing. Make sure the monitor is properly seated in the housing.
- ❑ **Close the housing.**
- ❑ **Install the front shell screws** to seal the housing.
- ❑ **Check seal line.** Ensure that the seal line around the perimeter has no gaps as shown on the next page.





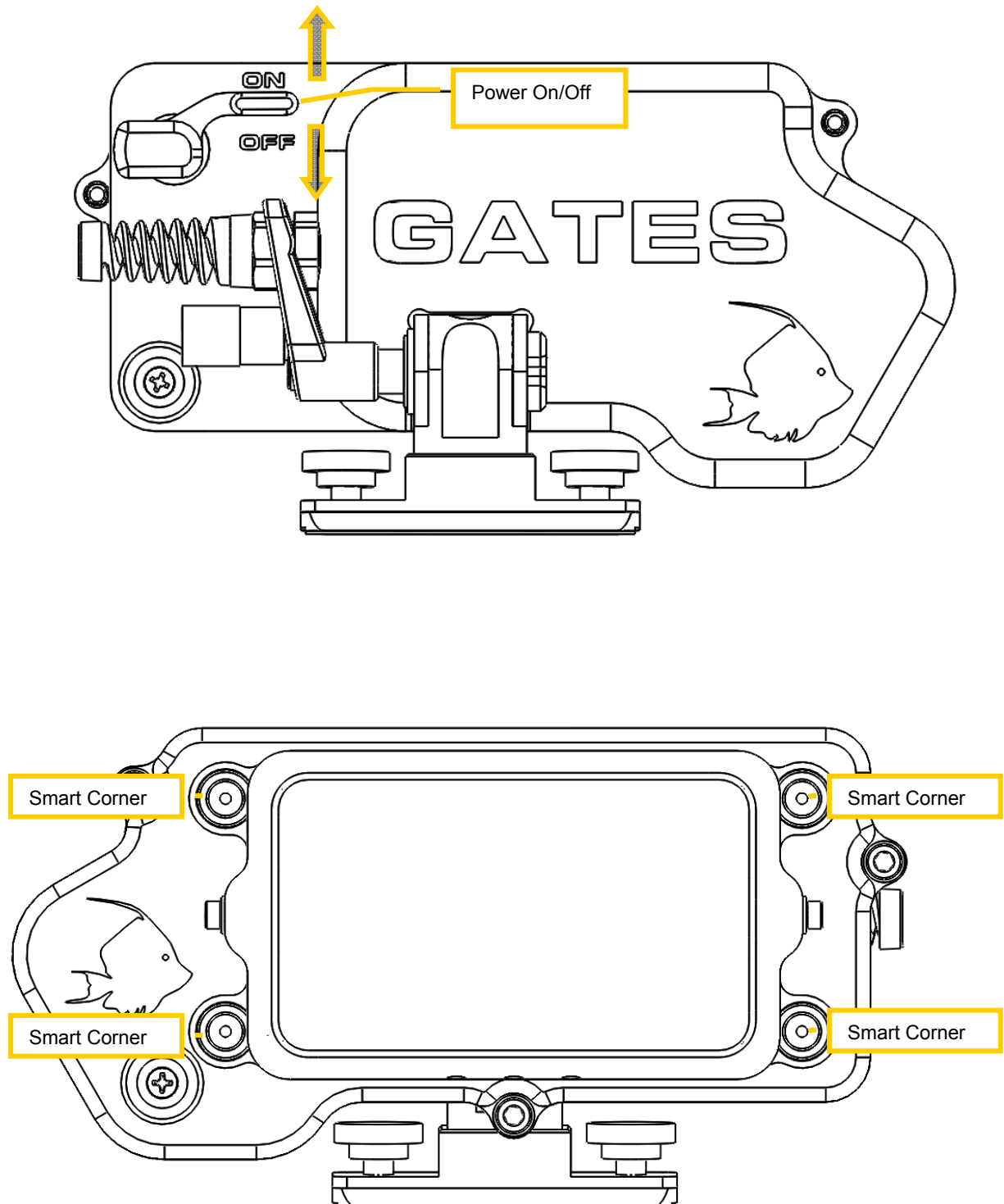
## Monitor Mount / Video and Power Connections

- **Mount the Starlite monitor.** Secure the monitor to the top of the camera housing shell. Tighten the thumbscrews to secure as shown below.
- **Insert the Monitor Cable into the camera housing.** The Starlite HD5 Monitor Cable is a 'pass through' type that inserts into the bulkhead opening on the camera housing.
- **Tighten the brass collar** until snug.
- **Connect to the camera's HDSDI output.**
- **Plug the Power Adapter Cable** into your camera systems power out. Plug the opposite side of the Power Adapter Cable into the Monitor Cable.



## Starlite HD5 Controls

- **Controls.** See the image below for the functions assigned to each control.



## 3: Starlite HD5 Monitor Housing Maintenance

---

### *Housing Care and Maintenance*

Proper care of your Gates housing is important to provide you reliable operation and long life. You'll find all the guidelines in the "Housing Care and Maintenance" document included with your Gates housing. You can also find it on Gates web site at [www.GatesHousings.com](http://www.GatesHousings.com).

### *O-Ring Care and Maintenance*

Your Gates Starlite HD5 Monitor Housing has 1 serviceable o-ring. It is located on the main housing the front shell mates. Its color is orange.

Servicing the o-rings is easy and covered in the "Housing Care and Maintenance" document in this package. It can also be found on the Gates website at [www.gateshousings.com](http://www.gateshousings.com).

- ▶ **CAUTION:** Do not lubricate the large orange o-ring! It is a special silicone o-ring and can be damaged by petroleum-based lubricants.
  
- ▶ **CAUTION:** Never use metal tools or objects for removing o-rings!

## 4: Customer Support

---

Should you have any questions about the Starlite HD5 Monitor Housing and its operation, please contact Gates at the numbers below.

Email: [Customer.srvc@GatesHousings.com](mailto:Customer.srvc@GatesHousings.com)

Web: [www.GatesHousings.com](http://www.GatesHousings.com)

Phone: 858.391.0052

Fax: 858.391.0053